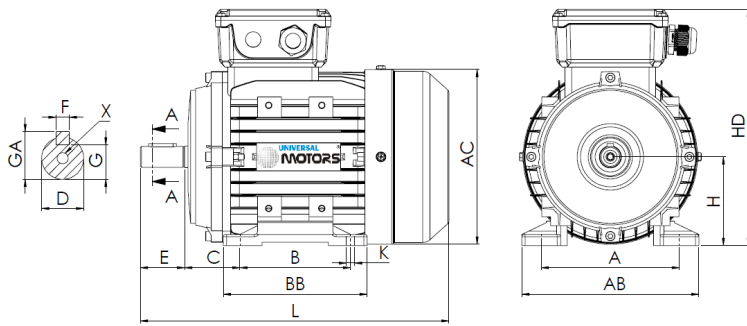


Technical Data Sheet
 Electric Motor Three phase in Aluminum IE1



L (standard motor)

198

L (motor w/brake)

NA

L (motor w/forced ventilation)

NA

L (motor without ventilation)

165

Feet					Shaft						Carcass				Flange				
H	A	B	C	K	D	E	F	G	GA	X	AB	BB	AC	HD	M	N	P	S	T
56	90	71	36	5.8	9j6	20	3	7.2	10.2	M3x9	110	89	117	158	-	-	-	-	-

Electrical Data

Type	BF31/UMA* 56M2-4	
Poles	4/1500	Poles
Power	0.09	Kw
Voltage	400	V
Frequency	50	Hz
Speed	1400	rpm
Nominal current	0.37	A
Power factor	0.61	
Efficiency 100%	58.0	%
Efficiency 75%	-	%
Efficiency 50%	-	%
Torque	0.61	N.m
Ta/Tn	2.4	
Ia/In	6.0	
Tm/Tn	2.4	

Mechanical Data

Shaft height	56
Construction form	B3
Mechanical protection	55
Heating class	B
Insulation class	F
Service	S1
Ambient temp.	-10°C-40°C
Altitude	1000
Noise	50 dB(A)
Weight	3.6 kg
Bearing DE	6201 2Z C3
Bearing NDE	6201 2Z C3

Extra Data

Applicable brakes

DC brake	NA	Brake torque	NA	N.m
AC brake	NA	Brake torque	NA	N.m

Applicable forced ventilations

Single-phase forced ventilation	Power	NA	W
Three-phase forced ventilation	Power	NA	W

Universal Motors S.A.
 Rua Comendador Brandão, 484
 4495-375 Póvoa de Varzim
geral@universalmotors.pt
 TEL.: 252 299 080

Universal Motors UK, Ltd
 Unit E2, Meltham Mills Road
 West Yorkshire HD9 4AR
enquiries@universalmotors-group.co.uk
 TEL.: +44(0) 1484660222

Universal Motors SL
 C/La Habana n.6 nave 4 PI Camporoso
 28806 Alcala de Henares
info@universalmotors-group.es
 TEL.: 918 864 213