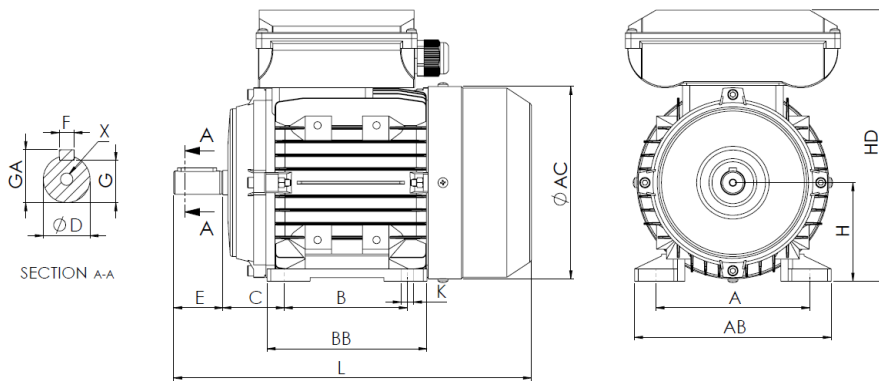


Technical Data Sheet
Electric Motor 1 phase in Aluminum IE1



L (standard motor)
421
L (motor w/brake)
445
L (motor w/forced ventilation)
522
L (motor without ventilation)
320

| Feet | | | | | Shaft | | | | | | Carcass | | | | Flange | | | | |
|------|-----|-----|----|----|-------|----|---|----|----|--------|---------|-----|-----|-----|--------|---|---|---|---|
| H | A | B | C | K | D | E | F | G | GA | X | AB | BB | AC | HD | M | N | P | S | T |
| 100 | 160 | 140 | 63 | 12 | 28j6 | 60 | 8 | 24 | 31 | M10x22 | 198 | 175 | 196 | 271 | - | - | - | - | - |

Electrical Data

| | | |
|-----------------|--------------|-------|
| Type | BF31D 100L-2 | |
| Poles | 2/3000 | Poles |
| Power | 3.00 | Kw |
| Voltage | 230 | V |
| Frequency | 50 | Hz |
| Speed | 2830 | rpm |
| Nominal current | 17.83 | A |
| Power factor | 0.95 | |
| Efficiency 100% | 77.0 | % |
| Efficiency 75% | - | % |
| Efficiency 50% | - | % |
| Torque | 10.12 | N.m |
| Ta/Tn | 2.5 | |
| Ia/In | 6.2 | |
| Tm/Tn | 1.7 | |

Mechanical Data

| | | |
|-----------------------|------------|-------|
| Shaft height | 100 | |
| Construction form | B3 | |
| Mechanical protection | 55 | |
| Heating class | B | |
| Insulation class | F | |
| Service | S3-70% | |
| Ambient temp. | -10°C-40°C | |
| Altitude | 1000 | |
| Noise | - | dB(A) |
| Weight | 25 | kg |
| Bearing DE | 6206 2Z C3 | |
| Bearing NDE | 6206 2Z C3 | |

Extra Data

Applicable brakes

| | | | | |
|----------|-----------|--------------|----|-----|
| DC brake | REB-05-12 | Brake torque | 32 | N.m |
| AC brake | NA | Brake torque | NA | N.m |

Applicable forced ventilations

| | | | |
|---------------------------------|-------|----|---|
| Single-phase forced ventilation | Power | 65 | W |
| Three-phase forced ventilation | Power | NA | W |

Universal Motors S.A.
Rua Comendador Brandão, 484
4495-375 Póvoa de Varzim
geral@universalmotors.pt
TEL.: 252 299 080

Universal Motors UK, Ltd
Unit E2, Meltham Mills Road
West Yorkshire HD9 4AR
enquiries@universalmotors-group.co.uk
TEL.: +44(0) 1484660222

Universal Motors SL
C/La Habana n.6 nave 4 PI Camporoso
28806 Alcala de Henares
info@universalmotors-group.es
TEL.: 918 864 213