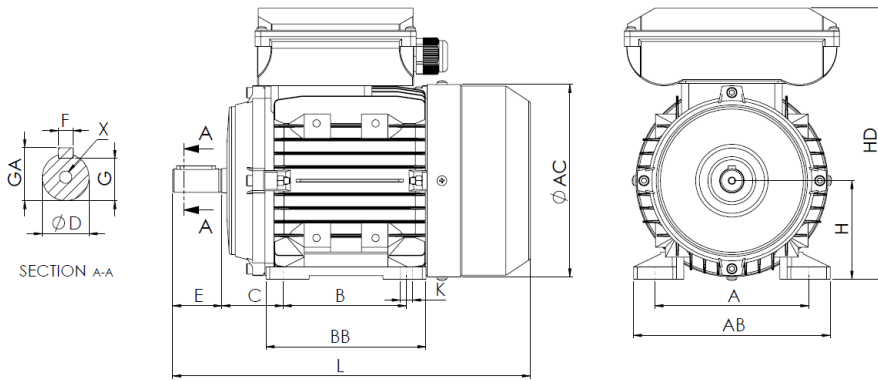


Technical Data Sheet
Electric Motor 1 phase in Aluminum IE1



L (standard motor)
421
L (motor w/brake)
445
L (motor w/forced ventilation)
522
L (motor without ventilation)
320

Feet					Shaft						Carcass				Flange				
H	A	B	C	K	D	E	F	G	GA	X	AB	BB	AC	HD	M	N	P	S	T
100	160	140	63	12	28j6	60	8	24	31	M10x22	198	175	196	271	-	-	-	-	-

Electrical Data				Mechanical Data			
Type	BF31D 100L-4			Shaft height	100		
Poles	4/1500	Poles		Construction form	B3		
Power	3.00	Kw		Mechanical protection	55		
Voltage	230	V		Heating class	B		
Frequency	50	Hz		Insulation class	F		
Speed	1440	rpm		Service	S3-70%		
Nominal current	18.70	A		Ambient temp.	-10°C-40°C		
Power factor	0.93			Altitude	1000		
Efficiency 100%	75.0	%		Noise	-	dB(A)	
Efficiency 75%	-	%		Weight	28.7	kg	
Efficiency 50%	-	%		Bearing DE	6206 2Z C3		
Torque	19.89	N.m		Bearing NDE	6206 2Z C3		
Ta/Tn	2.5						
Ia/In	5.9						
Tm/Tn	1.8						

Extra Data

Applicable brakes

DC brake	REB-05-12	Brake torque	32	N.m
AC brake	NA	Brake torque	NA	N.m

Applicable forced ventilations

Single-phase forced ventilation	Power	65	W
Three-phase forced ventilation	Power	NA	W

Universal Motors S.A.
Rua Comendador Brandão, 484
4495-375 Póvoa de Varzim
geral@universalmotors.pt
TEL.: 252 299 080

Universal Motors UK, Ltd
Unit E2, Meltham Mills Road
West Yorkshire HD9 4AR
enquiries@universalmotors-group.co.uk
TEL.: +44(0) 1484660222

Universal Motors SL
C/La Habana n.6 nave 4 PI Camporoso
28806 Alcala de Henares
info@universalmotors-group.es
TEL.: 918 864 213