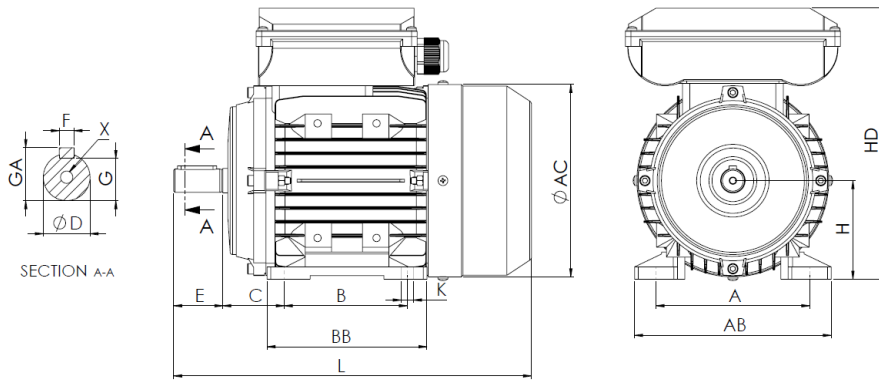


Technical Data Sheet
Electric Motor 1 phase in Aluminum IE1



L (standard motor)

255

L (motor w/brake)

NA

L (motor w/forced ventilation)

349

L (motor without ventilation)

218

Feet					Shaft						Carcass				Flange				
H	A	B	C	K	D	E	F	G	GA	X	AB	BB	AC	HD	M	N	P	S	T
71	112	90	45	7	14j6	30	5	11	16	M5x12	132	104	139	194	-	-	-	-	-

Electrical Data

Type	BF31D 71M2-4	
Poles	4/1500	Poles
Power	0.37	Kw
Voltage	230	V
Frequency	50	Hz
Speed	1380	rpm
Nominal current	2.84	A
Power factor	0.90	
Efficiency 100%	63.0	%
Efficiency 75%	-	%
Efficiency 50%	-	%
Torque	2.56	N.m
Ta/Tn	2.5	
Ia/In	5.7	
Tm/Tn	1.7	

Mechanical Data

Shaft height	71
Construction form	B3
Mechanical protection	55
Heating class	B
Insulation class	F
Service	S3-70%
Ambient temp.	-10°C-40°C
Altitude	1000
Noise	- dB(A)
Weight	6.9 kg
Bearing DE	6202 2Z C3
Bearing NDE	6202 2Z C3

Extra Data

Applicable brakes

DC brake	NA	Brake torque	NA	N.m
AC brake	NA	Brake torque	NA	N.m

Applicable forced ventilations

Single-phase forced ventilation	Power	35	W
Three-phase forced ventilation	Power	NA	W

Universal Motors S.A.
Rua Comendador Brandão, 484
4495-375 Póvoa de Varzim
geral@universalmotors.pt
TEL.: 252 299 080

Universal Motors UK, Ltd
Unit E2, Meltham Mills Road
West Yorkshire HD9 4AR
enquiries@universalmotors-group.co.uk
TEL.: +44(0) 1484660222

Universal Motors SL
C/La Habana n.6 nave 4 PI Camporoso
28806 Alcala de Henares
info@universalmotors-group.es
TEL.: 918 864 213