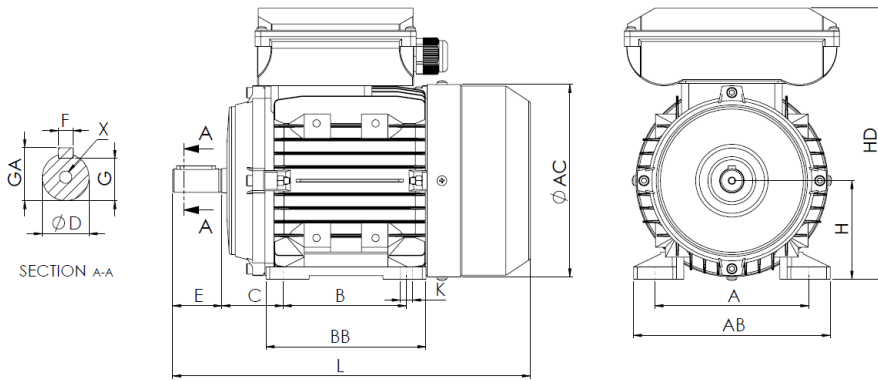


Technical Data Sheet
Electric Motor 1 phase in Aluminum IE1



L (standard motor)
290
L (motor w/brake)
353
L (motor w/forced ventilation)
393
L (motor without ventilation)
248

Feet					Shaft						Carcass				Flange				
H	A	B	C	K	D	E	F	G	GA	X	AB	BB	AC	HD	M	N	P	S	T
80	125	100	50	10	19j6	40	6	15.5	21.5	M6x16	160	130	156	223	-	-	-	-	-

Electrical Data

Type	BF31D 80M2-4	
Poles	4/1500	Poles
Power	0.75	Kw
Voltage	230	V
Frequency	50	Hz
Speed	1410	rpm
Nominal current	5.25	A
Power factor	0.90	
Efficiency 100%	69.0	%
Efficiency 75%	-	%
Efficiency 50%	-	%
Torque	5.08	N.m
Ta/Tn	2.5	
Ia/In	5.7	
Tm/Tn	1.8	

Mechanical Data

Shaft height	80
Construction form	B3
Mechanical protection	55
Heating class	B
Insulation class	F
Service	S3-70%
Ambient temp.	-10°C-40°C
Altitude	1000
Noise	- dB(A)
Weight	10.9 kg
Bearing DE	6204 2Z C3
Bearing NDE	6204 2Z C3

Extra Data

Applicable brakes

DC brake	REB-05-08	Brake torque	8	N.m
AC brake	NA	Brake torque	NA	N.m

Applicable forced ventilations

Single-phase forced ventilation	Power	45	W
Three-phase forced ventilation	Power	NA	W

Universal Motors S.A.
Rua Comendador Brandão, 484
4495-375 Póvoa de Varzim
geral@universalmotors.pt
TEL.: 252 299 080

Universal Motors UK, Ltd
Unit E2, Meltham Mills Road
West Yorkshire HD9 4AR
enquiries@universalmotors-group.co.uk
TEL.: +44(0) 1484660222

Universal Motors SL
C/La Habana n.6 nave 4 PI Camporoso
28806 Alcala de Henares
info@universalmotors-group.es
TEL.: 918 864 213