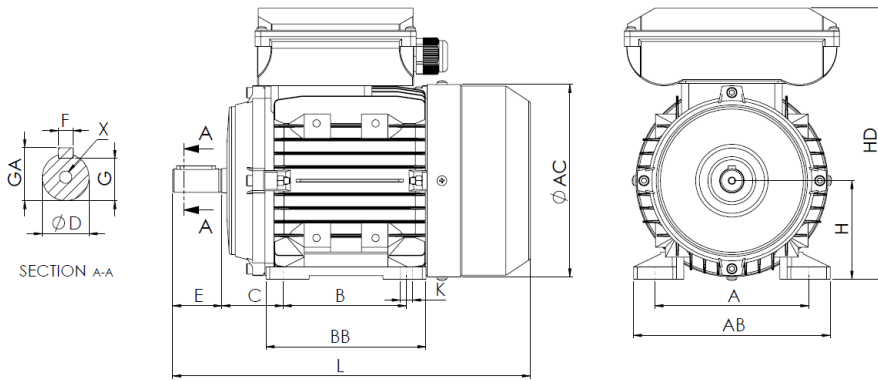


Technical Data Sheet
Electric Motor 1 phase in Aluminum IE1



L (standard motor)
337

L (motor w/brake)
396

L (motor w/forced ventilation)
442

L (motor without ventilation)
291

Feet					Shaft						Carcass				Flange				
H	A	B	C	K	D	E	F	G	GA	X	AB	BB	AC	HD	M	N	P	S	T
90	140	100	56	10	24j6	50	8	20	27	M8x19	175	130	175	240	-	-	-	-	-

Electrical Data

Type	BF31D 90S-2	
Poles	2/3000	Poles
Power	1.50	Kw
Voltage	230	V
Frequency	50	Hz
Speed	2810	rpm
Nominal current	9.48	A
Power factor	0.93	
Efficiency 100%	74.0	%
Efficiency 75%	-	%
Efficiency 50%	-	%
Torque	5.1	N.m
Ta/Tn	2.5	
Ia/In	5.8	
Tm/Tn	1.8	

Mechanical Data

Shaft height	90
Construction form	B3
Mechanical protection	55
Heating class	B
Insulation class	F
Service	S3-70%
Ambient temp.	-10°C-40°C
Altitude	1000
Noise	- dB(A)
Weight	16.3 kg
Bearing DE	6205 2Z C3
Bearing NDE	6205 2Z C3

Extra Data

Applicable brakes

DC brake	REB-05-10	Brake torque	16	N.m
AC brake	NA	Brake torque	NA	N.m

Applicable forced ventilations

Single-phase forced ventilation	Power	45	W
Three-phase forced ventilation	Power	NA	W

Universal Motors S.A.
Rua Comendador Brandão, 484
4495-375 Póvoa de Varzim
geral@universalmotors.pt
TEL.: 252 299 080

Universal Motors UK, Ltd
Unit E2, Meltham Mills Road
West Yorkshire HD9 4AR
enquiries@universalmotors-group.co.uk
TEL.: +44(0) 1484660222

Universal Motors SL
C/La Habana n.6 nave 4 PI Camporoso
28806 Alcala de Henares
info@universalmotors-group.es
TEL.: 918 864 213