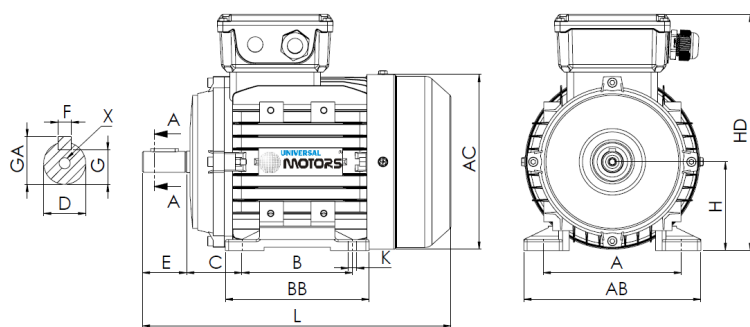


Technical Data Sheet  
 Electric Motor Three phase in Aluminum IE2



L (standard motor)  
250  
 L (motor w/brake)  
300  
 L (motor w/forced ventilation)  
360  
 L (motor without ventilation)  
208

Feet					Shaft							Carcass				Flange				
H	A	B	C	K	D	E	F	G	GA	X	AB	BB	AC	HD	M	N	P	S	T	
71	112	90	45	7	14j6	30	5	11	16	M5x12	132	105	147	190	-	-	-	-	-	

Electrical Data			Mechanical Data		
Type	HE31/UMHA*		Shaft height	71	
	71M1-4		Construction form	B3	
Poles	4/1500	Poles	Mechanical protection	55	
Power	0.25	Kw	Heating class	B	
Voltage	400	V	Insulation class	F	
Frequency	50	Hz	Service	S1	
Speed	1400	rpm	Ambient temp.	-10°C-40°C	
Nominal current	0.76	A	Altitude	1000	
Power factor	0.70		Noise	64	dB(A)
Efficiency 100%	68.5	%	Weight	5.4	kg
Efficiency 75%	67.0	%	Bearing DE	6202 2Z C3	
Efficiency 50%	60.8	%	Bearing NDE	6202 2Z C3	
Torque	1.71	N.m			
Ta/Tn	2.4				
Ia/In	4.5				
Tm/Tn	2.4				

**Extra Data**

**Applicable brakes**

DC brake	REB-05-06	Brake torque	4	N.m
AC brake	AC2	Brake torque	10	N.m

**Applicable forced ventilations**

Single-phase forced ventilation	Power	35	W
Three-phase forced ventilation	Power	35	W

Universal Motors S.A.  
 Rua Comendador Brandão, 484  
 4495-375 Póvoa de Varzim  
[geral@universalmotors.pt](mailto:geral@universalmotors.pt)  
 TEL.: 252 299 080

Universal Motors UK, Ltd  
 Unit E2, Meltham Mills Road  
 West Yorkshire HD9 4AR  
[enquiries@universalmotors-group.co.uk](mailto:enquiries@universalmotors-group.co.uk)  
 TEL.: +44(0) 1484660222

Universal Motors SL  
 C/La Habana n.6 nave 4 Pl Camporoso  
 28806 Alcala de Henares  
[info@universalmotors-group.es](mailto:info@universalmotors-group.es)  
 TEL.: 918 864 213