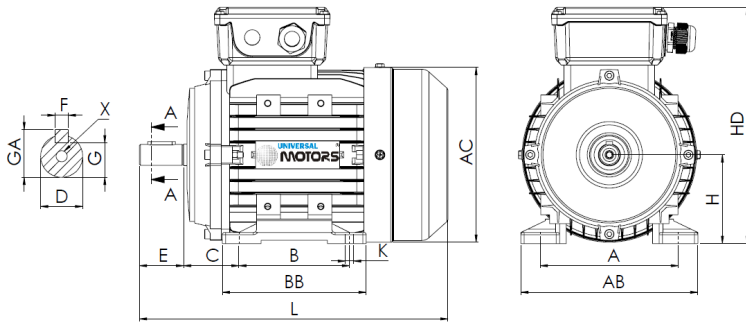


Technical Data Sheet  
 Electric Motor Three phase in Aluminum IE3



L (standard motor)

313

L (motor w/brake)

385

L (motor w/forced ventilation)

425

L (motor without ventilation)

279

Feet					Shaft						Carcass				Flange				
H	A	B	C	K	D	E	F	G	GA	X	AB	BB	AC	HD	M	N	P	S	T
90	140	100	56	10	24j6	50	8	20	27	M8x19	175	130	182	235	-	-	-	-	-

Electrical Data				Mechanical Data			
Type	PE31/UM3A* 90S-6			Shaft height	90		
Poles	6/1000	Poles		Construction form	B3		
Power	0.75	Kw		Mechanical protection	55		
Voltage	400	V		Heating class	B		
Frequency	50	Hz		Insulation class	F		
Speed	950	rpm		Service	S1		
Nominal current	2.08	A		Ambient temp.	-10°C-40°C		
Power factor	0.66			Altitude	1000		
Efficiency 100%	78.9	%		Noise	63	dB(A)	
Efficiency 75%	77.0	%		Weight	14	kg	
Efficiency 50%	73.3	%		Bearing DE	6205 2Z C3		
Torque	7.54	N.m		Bearing NDE	6204 2Z C3		
Ta/Tn	2.1						
Ia/In	5.8						
Tm/Tn	2.1						

**Extra Data**

**Applicable brakes**

DC brake	REB-05-10	Brake torque	16	N.m
AC brake	NA	Brake torque	NA	N.m

**Applicable forced ventilations**

Single-phase forced ventilation	Power	45	W
Three-phase forced ventilation	Power	45	W

Universal Motors S.A.  
 Rua Comendador Brandão, 484  
 4495-375 Póvoa de Varzim  
[geral@universalmotors.pt](mailto:geral@universalmotors.pt)  
 TEL.: 252 299 080

Universal Motors UK, Ltd  
 Unit E2, Meltham Mills Road  
 West Yorkshire HD9 4AR  
[enquiries@universalmotors-group.co.uk](mailto:enquiries@universalmotors-group.co.uk)  
 TEL.: +44(0) 1484660222

Universal Motors SL  
 C/La Habana n.6 nave 4 PI Camporoso  
 28806 Alcala de Henares  
[info@universalmotors-group.es](mailto:info@universalmotors-group.es)  
 TEL.: 918 864 213