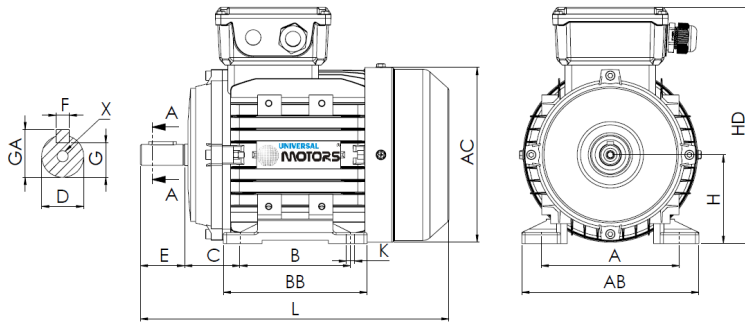


Technical Data Sheet
 Electric Motor Three phase in Aluminum IE2



L (standard motor)

313

L (motor w/brake)

385

L (motor w/forced ventilation)

425

L (motor without ventilation)

279

Feet					Shaft						Carcass				Flange				
H	A	B	C	K	D	E	F	G	GA	X	AB	BB	AC	HD	M	N	P	S	T
90	140	125	56	10	24j6	50	8	20	27	M8x19	175	155	182	235	-	-	-	-	-

Electrical Data

Type	HE31/UMHA*	
	90L2-6	
Poles	6/1000	Poles
Power	1.50	Kw
Voltage	400	V
Frequency	50	Hz
Speed	920	rpm
Nominal current	3.62	A
Power factor	0.75	
Efficiency 100%	79.8	%
Efficiency 75%	81.9	%
Efficiency 50%	80.8	%
Torque	15.57	N.m
Ta/Tn	2.2	
Ia/In	5.0	
Tm/Tn	2.3	

Mechanical Data

Shaft height	90
Construction form	B3
Mechanical protection	55
Heating class	B
Insulation class	F
Service	S3-70%
Ambient temp.	-10°C-40°C
Altitude	1000
Noise	15.57 dB(A)
Weight	64 kg
Bearing DE	6205 2Z C3
Bearing NDE	6204 2Z C3

Extra Data

Applicable brakes

DC brake	NA	Brake torque	NA	N.m
AC brake	NA	Brake torque	NA	N.m

Applicable forced ventilations

Single-phase forced ventilation	Power	45	W
Three-phase forced ventilation	Power	45	W

Universal Motors S.A.
 Rua Comendador Brandão, 484
 4495-375 Póvoa de Varzim
geral@universalmotors.pt
 TEL.: 252 299 080

Universal Motors UK, Ltd
 Unit E2, Meltham Mills Road
 West Yorkshire HD9 4AR
enquiries@universalmotors-group.co.uk
 TEL.: +44(0) 1484660222

Universal Motors SL
 C/La Habana n.6 nave 4 Pl Camporosso
 28806 Alcala de Henares
info@universalmotors-group.es
 TEL.: 918 864 213