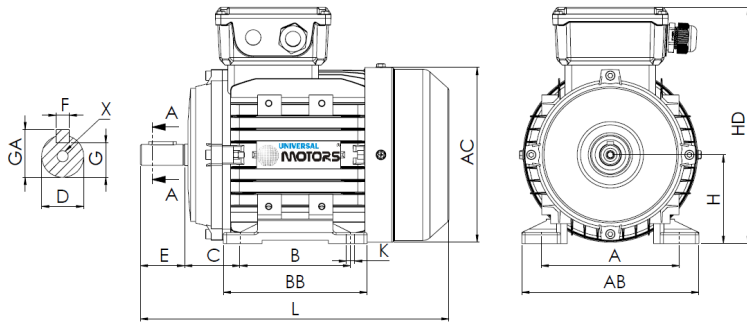


Technical Data Sheet
 Electric Motor Three phase in Aluminum IE3



L (standard motor)

313

L (motor w/brake)

385

L (motor w/forced ventilation)

425

L (motor without ventilation)

279

Feet					Shaft						Carcass				Flange				
H	A	B	C	K	D	E	F	G	GA	X	AB	BB	AC	HD	M	N	P	S	T
90	140	125	56	10	24j6	50	8	20	27	M8x19	175	155	182	235	-	-	-	-	-

Electrical Data

Type	PE31/UM3A* 90L-6	
Poles	6/1000	Poles
Power	1.10	Kw
Voltage	400	V
Frequency	50	Hz
Speed	955	rpm
Nominal current	2.97	A
Power factor	0.66	
Efficiency 100%	81.0	%
Efficiency 75%	80.1	%
Efficiency 50%	76.4	%
Torque	11	N.m
Ta/Tn	2.1	
Ia/In	5.9	
Tm/Tn	2.1	

Mechanical Data

Shaft height	90
Construction form	B3
Mechanical protection	55
Heating class	B
Insulation class	F
Service	S1
Ambient temp.	-10°C-40°C
Altitude	1000
Noise	63 dB(A)
Weight	17 kg
Bearing DE	6205 2Z C3
Bearing NDE	6204 2Z C3

Extra Data

Applicable brakes

DC brake	REB-05-10	Brake torque	16	N.m
AC brake	NA	Brake torque	NA	N.m

Applicable forced ventilations

Single-phase forced ventilation	Power	45	W
Three-phase forced ventilation	Power	45	W

Universal Motors S.A.
 Rua Comendador Brandão, 484
 4495-375 Póvoa de Varzim
geral@universalmotors.pt
 TEL.: 252 299 080

Universal Motors UK, Ltd
 Unit E2, Meltham Mills Road
 West Yorkshire HD9 4AR
enquiries@universalmotors-group.co.uk
 TEL.: +44(0) 1484660222

Universal Motors SL
 C/La Habana n.6 nave 4 PI Camporoso
 28806 Alcala de Henares
info@universalmotors-group.es
 TEL.: 918 864 213