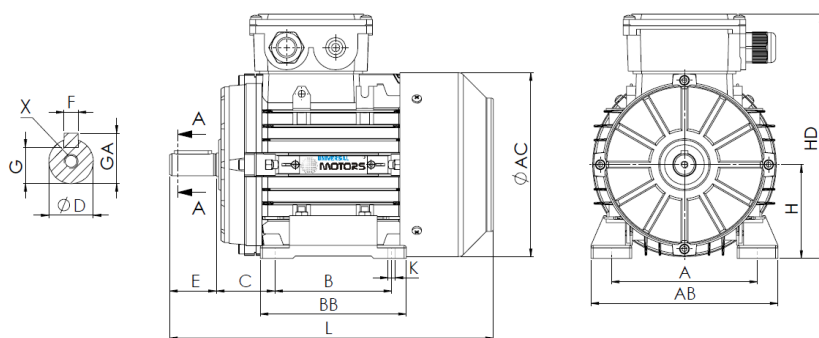


Technical Data Sheet
 Electric Motor Three phase in Aluminum IE2



L (standard motor)
285
 L (motor w/brake)
345
 L (motor w/forced ventilation)
392
 L (motor without ventilation)
242

Feet					Shaft						Carcass				Flange				
H	A	B	C	K	D	E	F	G	GA	X	AB	BB	AC	HD	M	N	P	S	T
80	125	100	50	10	19j6	40	6	15.5	21.5	M6x16	162	127	158	228	-	-	-	-	-

Electrical Data

Type	UM2A 80M2-2	
Poles	2/3000	Poles
Power	1.10	Kw
Voltage	400	V
Frequency	50	Hz
Speed	2860	rpm
Nominal current	2.43	A
Power factor	0.82	
Efficiency 100%	79.6	%
Efficiency 75%	79.9	%
Efficiency 50%	77.5	%
Torque	3.67	N.m
Ta/Tn	2.6	
Ia/In	7.0	
Tm/Tn	2.6	

Mechanical Data

Shaft height	80
Construction form	B3
Mechanical protection	55
Heating class	B
Insulation class	F
Service	S3-70%
Ambient temp.	-10°C-40°C
Altitude	1000
Noise	67 dB(A)
Weight	9.800000000000001kg
Bearing DE	6204 2Z C3
Bearing NDE	6204 2Z C3

Extra Data

Applicable brakes

DC brake	REB-05-08	Brake torque	8	N.m
AC brake	AC3	Brake torque	16	N.m

Applicable forced ventilations

Single-phase forced ventilation	Power	45	W
Three-phase forced ventilation	Power	45	W

Universal Motors S.A.
 Rua Comendador Brandão, 484
 4495-375 Póvoa de Varzim
geral@universalmotors.pt
 TEL.: 252 299 080

Universal Motors UK, Ltd
 Unit E2, Meltham Mills Road
 West Yorkshire HD9 4AR
enquiries@universalmotors-group.co.uk
 TEL.: +44(0) 1484660222

Universal Motors SL
 C/La Habana n.6 nave 4 PI Camporroso
 28806 Alcala de Henares
info@universalmotors-group.es
 TEL.: 918 864 213