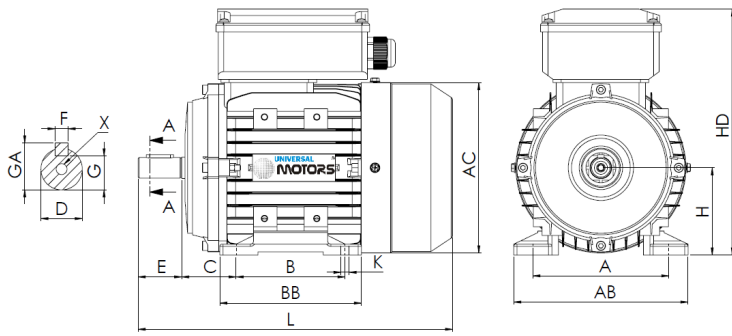


Technical Data Sheet
 Electric Motor 1 phase in Aluminum IE2



L (standard motor)

368

L (motor w/brake)

445

L (motor w/forced ventilation)

485

L (motor without ventilation)

320

Feet					Shaft						Carcass				Flange				
H	A	B	C	K	D	E	F	G	GA	X	AB	BB	AC	HD	M	N	P	S	T
100	160	140	63	12	28j6	60	8	24	31	M10x22	198	175	196	265	-	-	-	-	-

Electrical Data

Type	UMM2C 100L-4	
Poles	4/1500	Poles
Power	2.20	Kw
Voltage	230	V
Frequency	50	Hz
Speed	1450	rpm
Nominal current	11.48	A
Power factor	0.99	
Efficiency 100%	84.3	%
Efficiency 75%	82.5	%
Efficiency 50%	75.8	%
Torque	14.49	N.m
Ta/Tn	0.3	
Ia/In	4.2	
Tm/Tn	1.8	

Mechanical Data

Shaft height	100
Construction form	B3
Mechanical protection	55
Heating class	B
Insulation class	F
Service	S1
Ambient temp.	-10°C-40°C
Altitude	1000
Noise	- dB(A)
Weight	25.4 kg
Bearing DE	6206 2Z C3
Bearing NDE	6206 2Z C3

Extra Data

Applicable brakes

DC brake	REB-05-12	Brake torque	32	N.m
AC brake	NA	Brake torque	NA	N.m

Applicable forced ventilations

Single-phase forced ventilation	Power	65	W
Three-phase forced ventilation	Power	NA	W

Universal Motors S.A.
 Rua Comendador Brandão, 484
 4495-375 Póvoa de Varzim
geral@universalmotors.pt
 TEL.: 252 299 080

Universal Motors UK, Ltd
 Unit E2, Meltham Mills Road
 West Yorkshire HD9 4AR
enquiries@universalmotors-group.co.uk
 TEL.: +44(0) 1484660222

Universal Motors SL
 C/La Habana n.6 nave 4 PI Camporoso
 28806 Alcala de Henares
info@universalmotors-group.es
 TEL.: 918 864 213