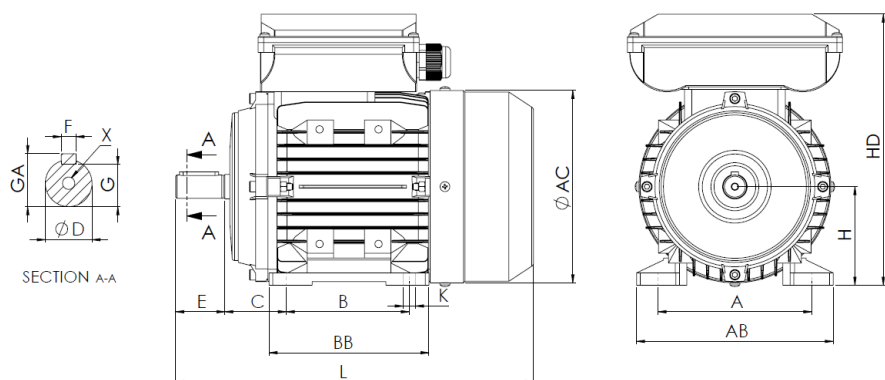


Technical Data Sheet
Electric Motor 1 phase in Aluminum IE2



L (standard motor)
220

L (motor w/brake)
NA

L (motor w/forced ventilation)
316

L (motor without ventilation)
186

Feet					Shaft						Carcass				Flange				
H	A	B	C	K	D	E	F	G	GA	X	AB	BB	AC	HD	M	N	P	S	T
63	100	80	40	7	11j6	23	4	8.5	12.5	M4x10	120	103	121	179	-	-	-	-	-

Electrical Data

Type	UMM2D 63M1-2	
Poles	2/3000	Poles
Power	0.18	Kw
Voltage	230	V
Frequency	50	Hz
Speed	2790	rpm
Nominal current	1.35	A
Power factor	0.96	
Efficiency 100%	60.4	%
Efficiency 75%	54.5	%
Efficiency 50%	43.4	%
Torque	0.62	N.m
Ta/Tn	2.4	
Ia/In	4.9	
Tm/Tn	1.8	

Mechanical Data

Shaft height	63
Construction form	B3
Mechanical protection	55
Heating class	B
Insulation class	F
Service	S1
Ambient temp.	-10°C-40°C
Altitude	1000
Noise	- dB(A)
Weight	4.11 kg
Bearing DE	6201 2Z C3
Bearing NDE	6201 2Z C3

Extra Data

Applicable brakes

DC brake	NA	Brake torque	NA	N.m
AC brake	NA	Brake torque	NA	N.m

Applicable forced ventilations

Single-phase forced ventilation	Power	25	W
Three-phase forced ventilation	Power	NA	W

Universal Motors S.A.
Rua Comendador Brandão, 484
4495-375 Póvoa de Varzim
geral@universalmotors.pt
TEL.: 252 299 080

Universal Motors UK, Ltd
Unit E2, Meltham Mills Road
West Yorkshire HD9 4AR
enquiries@universalmotors-group.co.uk
TEL.: +44(0) 1484660222

Universal Motors SL
C/La Habana n.6 nave 4 PI Camporoso
28806 Alcala de Henares
info@universalmotors-group.es
TEL.: 918 864 213