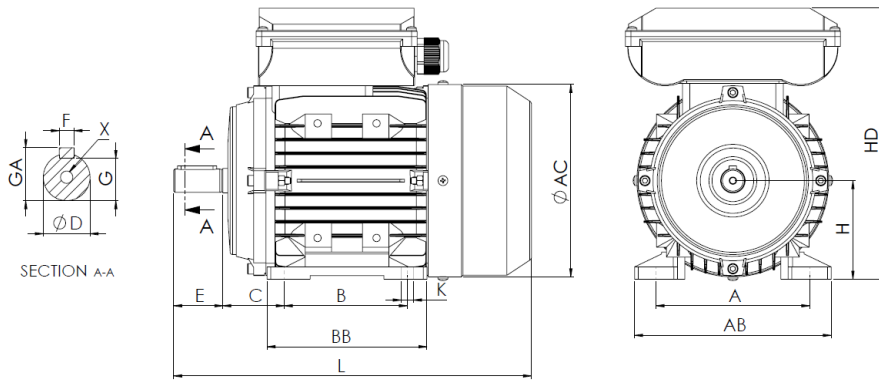


Technical Data Sheet  
Electric Motor 1 phase in Aluminum IE2



L (standard motor)  
220  
L (motor w/brake)  
NA  
L (motor w/forced ventilation)  
316  
L (motor without ventilation)  
186

Feet					Shaft						Carcass				Flange				
H	A	B	C	K	D	E	F	G	GA	X	AB	BB	AC	HD	M	N	P	S	T
63	100	80	40	7	11j6	23	4	8.5	12.5	M4x10	120	103	121	179	-	-	-	-	-

Electrical Data				Mechanical Data			
Type	UMM2D 63M2-2			Shaft height	63		
Poles	2/3000	Poles		Construction form	B3		
Power	0.25	Kw		Mechanical protection	55		
Voltage	230	V		Heating class	B		
Frequency	50	Hz		Insulation class	F		
Speed	2790	rpm		Service	S1		
Nominal current	1.73	A		Ambient temp.	-10°C-40°C		
Power factor	0.97			Altitude	1000		
Efficiency 100%	64.8	%		Noise	-	dB(A)	
Efficiency 75%	60.5	%		Weight	4.61	kg	
Efficiency 50%	51.0	%		Bearing DE	6201 2Z C3		
Torque	0.86	N.m		Bearing NDE	6201 2Z C3		
Ta/Tn	2.1						
Ia/In	4.9						
Tm/Tn	1.8						

**Extra Data**

**Applicable brakes**

DC brake	NA	Brake torque	NA	N.m
AC brake	NA	Brake torque	NA	N.m

**Applicable forced ventilations**

Single-phase forced ventilation	Power	25	W
Three-phase forced ventilation	Power	NA	W

Universal Motors S.A.  
Rua Comendador Brandão, 484  
4495-375 Póvoa de Varzim  
[geral@universalmotors.pt](mailto:geral@universalmotors.pt)  
TEL.: 252 299 080

Universal Motors UK, Ltd  
Unit E2, Meltham Mills Road  
West Yorkshire HD9 4AR  
[enquiries@universalmotors-group.co.uk](mailto:enquiries@universalmotors-group.co.uk)  
TEL.: +44(0) 1484660222

Universal Motors SL  
C/La Habana n.6 nave 4 PI Camporoso  
28806 Alcala de Henares  
[info@universalmotors-group.es](mailto:info@universalmotors-group.es)  
TEL.: 918 864 213