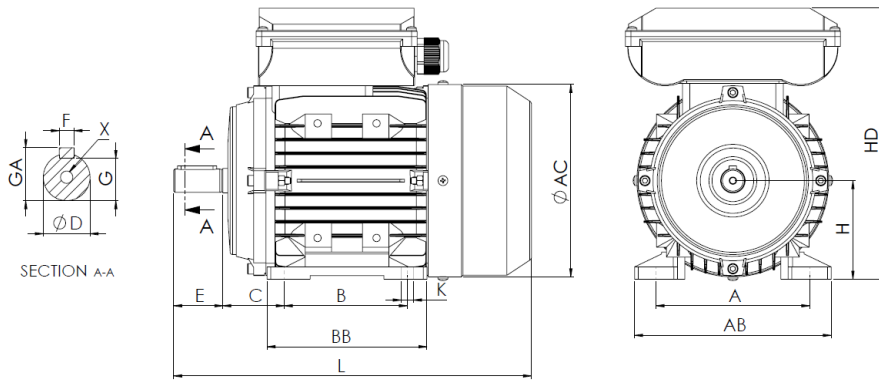


Technical Data Sheet
Electric Motor 1 phase in Aluminum IE2



L (standard motor)
220
L (motor w/brake)
NA
L (motor w/forced ventilation)
316
L (motor without ventilation)
186

Feet					Shaft						Carcass				Flange				
H	A	B	C	K	D	E	F	G	GA	X	AB	BB	AC	HD	M	N	P	S	T
63	100	80	40	7	11j6	23	4	8.5	12.5	M4x10	120	103	121	179	-	-	-	-	-

Electrical Data				Mechanical Data			
Type	UMM2D 63M2-4			Shaft height	63		
Poles	4/1500	Poles		Construction form	B3		
Power	0.18	Kw		Mechanical protection	55		
Voltage	230	V		Heating class	B		
Frequency	50	Hz		Insulation class	F		
Speed	1410	rpm		Service	S1		
Nominal current	1.23	A		Ambient temp.	-10°C-40°C		
Power factor	0.98			Altitude	1000		
Efficiency 100%	64.7	%		Noise	-	dB(A)	
Efficiency 75%	57.2	%		Weight	5.31	kg	
Efficiency 50%	45.0	%		Bearing DE	6201 2Z C3		
Torque	1.22	N.m		Bearing NDE	6201 2Z C3		
Ta/Tn	2.5						
Ia/In	5.2						
Tm/Tn	1.6						

Extra Data

Applicable brakes

DC brake	NA	Brake torque	NA	N.m
AC brake	NA	Brake torque	NA	N.m

Applicable forced ventilations

Single-phase forced ventilation	Power	25	W
Three-phase forced ventilation	Power	NA	W

Universal Motors S.A.
Rua Comendador Brandão, 484
4495-375 Póvoa de Varzim
geral@universalmotors.pt
TEL.: 252 299 080

Universal Motors UK, Ltd
Unit E2, Meltham Mills Road
West Yorkshire HD9 4AR
enquiries@universalmotors-group.co.uk
TEL.: +44(0) 1484660222

Universal Motors SL
C/La Habana n.6 nave 4 PI Camporoso
28806 Alcala de Henares
info@universalmotors-group.es
TEL.: 918 864 213