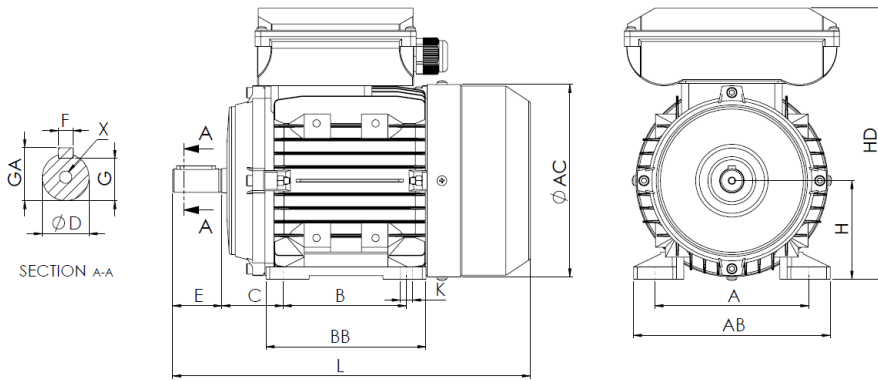


Technical Data Sheet
Electric Motor 1 phase in Aluminum IE2



L (standard motor)
255
L (motor w/brake)
NA
L (motor w/forced ventilation)
349
L (motor without ventilation)
218

Feet					Shaft						Carcass				Flange				
H	A	B	C	K	D	E	F	G	GA	X	AB	BB	AC	HD	M	N	P	S	T
71	112	90	45	7	14j6	30	5	11	16	M5x12	132	104	139	194	-	-	-	-	-

Electrical Data				Mechanical Data			
Type	UMM2D 71M2-2			Shaft height	71		
Poles	2/3000	Poles		Construction form	B3		
Power	0.55	Kw		Mechanical protection	55		
Voltage	230	V		Heating class	B		
Frequency	50	Hz		Insulation class	F		
Speed	2795	rpm		Service	S1		
Nominal current	3.36	A		Ambient temp.	-10°C-40°C		
Power factor	0.96			Altitude	1000		
Efficiency 100%	74.1	%		Noise	-	dB(A)	
Efficiency 75%	72.0	%		Weight	7.41	kg	
Efficiency 50%	65.1	%		Bearing DE	6202 2Z C3		
Torque	1.88	N.m		Bearing NDE	6202 2Z C3		
Ta/Tn	2.3						
Ia/In	5.1						
Tm/Tn	1.8						

Extra Data

Applicable brakes

DC brake	NA	Brake torque	NA	N.m
AC brake	NA	Brake torque	NA	N.m

Applicable forced ventilations

Single-phase forced ventilation	Power	35	W
Three-phase forced ventilation	Power	NA	W

Universal Motors S.A.
Rua Comendador Brandão, 484
4495-375 Póvoa de Varzim
geral@universalmotors.pt
TEL.: 252 299 080

Universal Motors UK, Ltd
Unit E2, Meltham Mills Road
West Yorkshire HD9 4AR
enquiries@universalmotors-group.co.uk
TEL.: +44(0) 1484660222

Universal Motors SL
C/La Habana n.6 nave 4 PI Camporoso
28806 Alcala de Henares
info@universalmotors-group.es
TEL.: 918 864 213