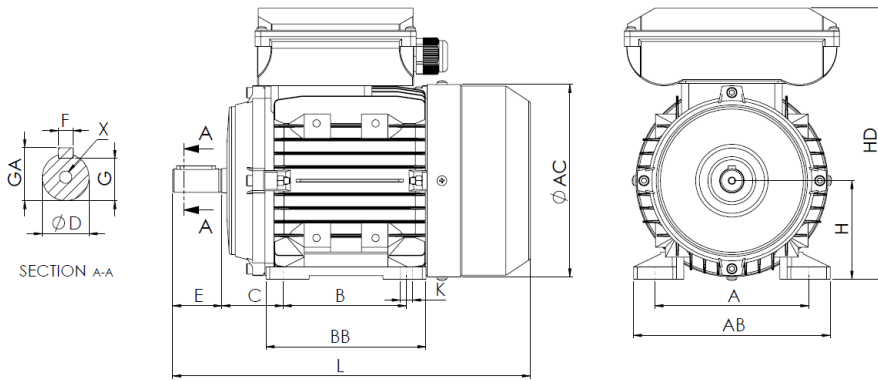


Technical Data Sheet
Electric Motor 1 phase in Aluminum IE2



- L (standard motor)
337
- L (motor w/brake)
396
- L (motor w/forced ventilation)
442
- L (motor without ventilation)
291

Feet					Shaft						Carcass				Flange				
H	A	B	C	K	D	E	F	G	GA	X	AB	BB	AC	HD	M	N	P	S	T
90	140	100	56	10	24j6	50	8	20	27	M8x19	175	130	175	240	-	-	-	-	-

Electrical Data				Mechanical Data			
Type	UMM2D 90S-2			Shaft height	90		
Poles	2/3000	Poles		Construction form	B3		
Power	1.50	Kw		Mechanical protection	55		
Voltage	230	V		Heating class	B		
Frequency	50	Hz		Insulation class	F		
Speed	2860	rpm		Service	S1		
Nominal current	8.19	A		Ambient temp.	-10°C-40°C		
Power factor	0.98			Altitude	1000		
Efficiency 100%	81.3	%		Noise	-	dB(A)	
Efficiency 75%	81.5	%		Weight	14.36	kg	
Efficiency 50%	77.3	%		Bearing DE	6205 2Z C3		
Torque	5.01	N.m		Bearing NDE	6205 2Z C3		
Ta/Tn	2.3						
Ia/In	6.4						
Tm/Tn	1.8						

Extra Data

Applicable brakes

DC brake	REB-05-10	Brake torque	16	N.m
AC brake	NA	Brake torque	NA	N.m

Applicable forced ventilations

Single-phase forced ventilation	Power	45	W
Three-phase forced ventilation	Power	NA	W

Universal Motors S.A.
Rua Comendador Brandão, 484
4495-375 Póvoa de Varzim
geral@universalmotors.pt
TEL.: 252 299 080

Universal Motors UK, Ltd
Unit E2, Meltham Mills Road
West Yorkshire HD9 4AR
enquiries@universalmotors-group.co.uk
TEL.: +44(0) 1484660222

Universal Motors SL
C/La Habana n.6 nave 4 PI Camporoso
28806 Alcala de Henares
info@universalmotors-group.es
TEL.: 918 864 213