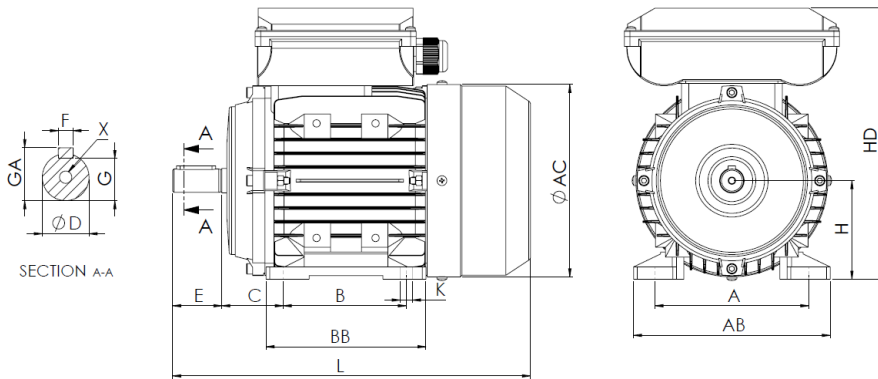


Technical Data Sheet
Electric Motor 1 phase in Aluminum IE2



L (standard motor)
367

L (motor w/brake)
426

L (motor w/forced ventilation)
472

L (motor without ventilation)
321

| Feet | | | | | Shaft | | | | | | Carcass | | | | Flange | | | | |
|------|-----|-----|----|----|-------|----|---|----|----|-------|---------|-----|-----|-----|--------|---|---|---|---|
| H | A | B | C | K | D | E | F | G | GA | X | AB | BB | AC | HD | M | N | P | S | T |
| 90 | 140 | 125 | 56 | 10 | 24j6 | 50 | 8 | 20 | 27 | M8x19 | 175 | 155 | 175 | 240 | - | - | - | - | - |

| Electrical Data | | | | Mechanical Data | | | |
|-----------------|-------------|-------|--|-----------------------|------------|-------|--|
| Type | UMM2D 90L-2 | | | Shaft height | 90 | | |
| Poles | 2/3000 | Poles | | Construction form | B3 | | |
| Power | 2.20 | Kw | | Mechanical protection | 55 | | |
| Voltage | 230 | V | | Heating class | B | | |
| Frequency | 50 | Hz | | Insulation class | F | | |
| Speed | 2880 | rpm | | Service | S1 | | |
| Nominal current | 11.60 | A | | Ambient temp. | -10°C-40°C | | |
| Power factor | 0.99 | | | Altitude | 1000 | | |
| Efficiency 100% | 83.2 | % | | Noise | - | dB(A) | |
| Efficiency 75% | 83.6 | % | | Weight | 18.26 | kg | |
| Efficiency 50% | 79.5 | % | | Bearing DE | 6205 2Z C3 | | |
| Torque | 7.29 | N.m | | Bearing NDE | 6205 2Z C3 | | |
| Ta/Tn | 2.5 | | | | | | |
| Ia/In | 6.7 | | | | | | |
| Tm/Tn | 1.8 | | | | | | |

Extra Data

Applicable brakes

| | | | | |
|----------|-----------|--------------|----|-----|
| DC brake | REB-05-10 | Brake torque | 16 | N.m |
| AC brake | NA | Brake torque | NA | N.m |

Applicable forced ventilations

| | | | |
|---------------------------------|-------|----|---|
| Single-phase forced ventilation | Power | 45 | W |
| Three-phase forced ventilation | Power | NA | W |

Universal Motors S.A.
Rua Comendador Brandão, 484
4495-375 Póvoa de Varzim
geral@universalmotors.pt
TEL.: 252 299 080

Universal Motors UK, Ltd
Unit E2, Meltham Mills Road
West Yorkshire HD9 4AR
enquiries@universalmotors-group.co.uk
TEL.: +44(0) 1484660222

Universal Motors SL
C/La Habana n.6 nave 4 PI Camporoso
28806 Alcala de Henares
info@universalmotors-group.es
TEL.: 918 864 213