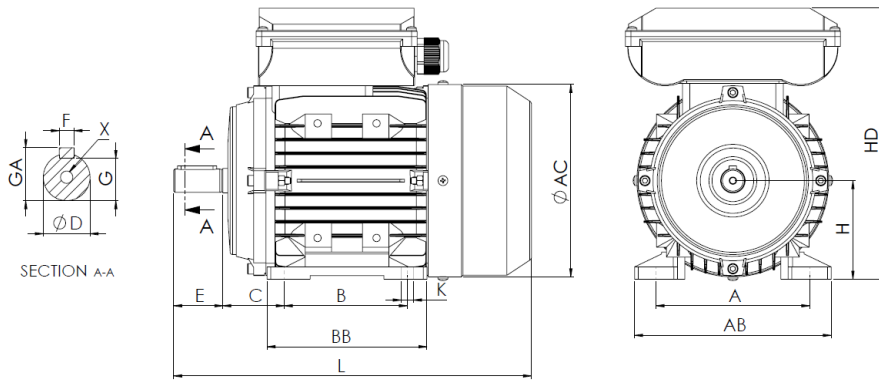


Technical Data Sheet  
Electric Motor 1 phase in Aluminum IE2



L (standard motor)

421

L (motor w/brake)

445

L (motor w/forced ventilation)

522

L (motor without ventilation)

320

Feet					Shaft						Carcass				Flange				
H	A	B	C	K	D	E	F	G	GA	X	AB	BB	AC	HD	M	N	P	S	T
100	160	140	63	12	28j6	60	8	24	31	M10x22	198	175	196	271	-	-	-	-	-

### Electrical Data

Type	UMM2D 100L-4	
Poles	4/1500	Poles
Power	3.00	Kw
Voltage	230	V
Frequency	50	Hz
Speed	1460	rpm
Nominal current	15.89	A
Power factor	0.96	
Efficiency 100%	85.5	%
Efficiency 75%	85.0	%
Efficiency 50%	80.6	%
Torque	19.62	N.m
Ta/Tn	2.3	
Ia/In	6.5	
Tm/Tn	1.8	

### Mechanical Data

Shaft height	100	
Construction form	B3	
Mechanical protection	55	
Heating class	B	
Insulation class	F	
Service	S1	
Ambient temp.	-10°C-40°C	
Altitude	1000	
Noise	-	dB(A)
Weight	30.13	kg
Bearing DE	6206 2Z C3	
Bearing NDE	6206 2Z C3	

### Extra Data

#### Applicable brakes

DC brake	REB-05-12	Brake torque	32	N.m
AC brake	NA	Brake torque	NA	N.m

#### Applicable forced ventilations

Single-phase forced ventilation	Power	65	W
Three-phase forced ventilation	Power	NA	W

Universal Motors S.A.  
Rua Comendador Brandão, 484  
4495-375 Póvoa de Varzim  
[geral@universalmotors.pt](mailto:geral@universalmotors.pt)  
TEL.: 252 299 080

Universal Motors UK, Ltd  
Unit E2, Meltham Mills Road  
West Yorkshire HD9 4AR  
[enquiries@universalmotors-group.co.uk](mailto:enquiries@universalmotors-group.co.uk)  
TEL.: +44(0) 1484660222

Universal Motors SL  
C/La Habana n.6 nave 4 PI Camporoso  
28806 Alcala de Henares  
[info@universalmotors-group.es](mailto:info@universalmotors-group.es)  
TEL.: 918 864 213