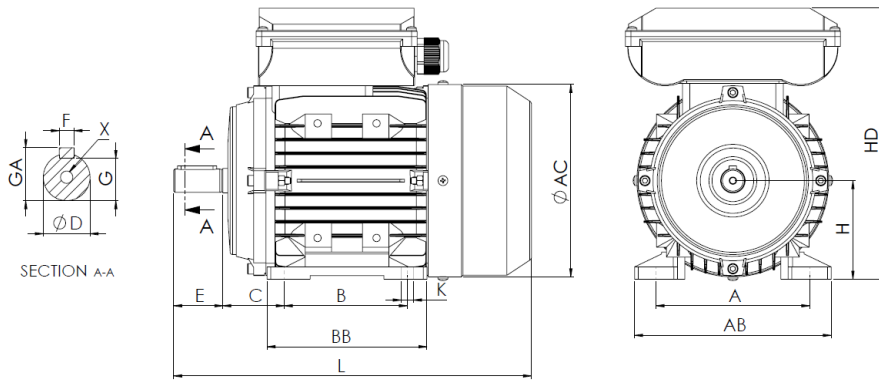


Technical Data Sheet
Electric Motor 1 phase in Aluminum IE2



L (standard motor)

431

L (motor w/brake)

510

L (motor w/forced ventilation)

546

L (motor without ventilation)

370

Feet					Shaft						Carcass				Flange				
H	A	B	C	K	D	E	F	G	GA	X	AB	BB	AC	HD	M	N	P	S	T
112	190	140	70	12	28j6	60	8	24	31	M10x22	220	175	221	297	-	-	-	-	-

Electrical Data

Type	UMM2D 112M-2	
Poles	2/3000	Poles
Power	3.70	Kw
Voltage	230	V
Frequency	50	Hz
Speed	2890	rpm
Nominal current	19.00	A
Power factor	0.99	
Efficiency 100%	85.5	%
Efficiency 75%	86.1	%
Efficiency 50%	83.2	%
Torque	12.23	N.m
Ta/Tn	2.5	
Ia/In	6.3	
Tm/Tn	1.8	

Mechanical Data

Shaft height	112	
Construction form	B3	
Mechanical protection	55	
Heating class	B	
Insulation class	F	
Service	S1	
Ambient temp.	-10°C-40°C	
Altitude	1000	
Noise	-	dB(A)
Weight	33.2	kg
Bearing DE	6306 2Z C3	
Bearing NDE	6206 2Z C3	

Extra Data

Applicable brakes

DC brake	REB-05-14	Brake torque	60	N.m
AC brake	NA	Brake torque	NA	N.m

Applicable forced ventilations

Single-phase forced ventilation	Power	80	W
Three-phase forced ventilation	Power	NA	W

Universal Motors S.A.
Rua Comendador Brandão, 484
4495-375 Póvoa de Varzim
geral@universalmotors.pt
TEL.: 252 299 080

Universal Motors UK, Ltd
Unit E2, Meltham Mills Road
West Yorkshire HD9 4AR
enquiries@universalmotors-group.co.uk
TEL.: +44(0) 1484660222

Universal Motors SL
C/La Habana n.6 nave 4 PI Camporoso
28806 Alcala de Henares
info@universalmotors-group.es
TEL.: 918 864 213