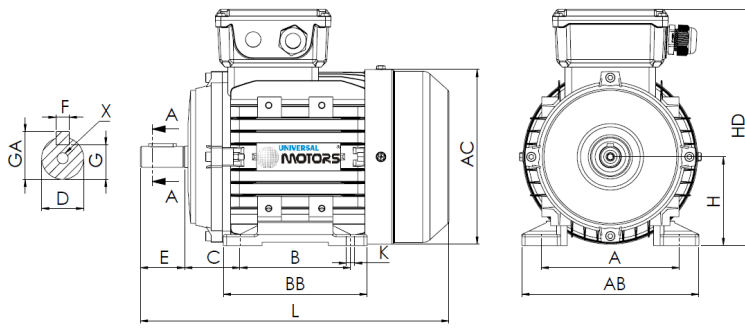


Technical Data Sheet  
 Electric Motor Three phase in Aluminum IE2



L (standard motor)

322

L (motor w/brake)

395

L (motor w/forced ventilation)

435

L (motor without ventilation)

289

Feet					Shaft						Carcass				Flange				
H	A	B	C	K	D	E	F	G	GA	X	AB	BB	AC	HD	M	N	P	S	T
90	140	125	56	10	24j6	50	8	20	27	M8x19	175	155	182	235	-	-	-	-	-

Electrical Data			Mechanical Data		
Type	HE31/UMHA*		Shaft height	90	
	90L1-2		Construction form	B3	
Poles	2/3000	Poles	Mechanical protection	55	
Power	2.20	Kw	Heating class	B	
Voltage	400	V	Insulation class	F	
Frequency	50	Hz	Service	S3-70%	
Speed	2845	rpm	Ambient temp.	-10°C-40°C	
Nominal current	4.50	A	Altitude	1000	
Power factor	0.85		Noise	78	dB(A)
Efficiency 100%	83.2	%	Weight	16	kg
Efficiency 75%	83.7	%	Bearing DE	6205 2Z C3	
Efficiency 50%	83.2	%	Bearing NDE	6204 2Z C3	
Torque	7.38	N.m			
Ta/Tn	2.3				
Ia/In	7.8				
Tm/Tn	2.3				

**Extra Data**

**Applicable brakes**

DC brake	REB-05-10	Brake torque	16	N.m
AC brake	AC4	Brake torque	20	N.m

**Applicable forced ventilations**

Single-phase forced ventilation	Power	45	W
Three-phase forced ventilation	Power	45	W

Universal Motors S.A.  
 Rua Comendador Brandão, 484  
 4495-375 Póvoa de Varzim  
[geral@universalmotors.pt](mailto:geral@universalmotors.pt)  
 TEL.: 252 299 080

Universal Motors UK, Ltd  
 Unit E2, Meltham Mills Road  
 West Yorkshire HD9 4AR  
[enquiries@universalmotors-group.co.uk](mailto:enquiries@universalmotors-group.co.uk)  
 TEL.: +44(0) 1484660222

Universal Motors SL  
 C/La Habana n.6 nave 4 Pl Camporosso  
 28806 Alcala de Henares  
[info@universalmotors-group.es](mailto:info@universalmotors-group.es)  
 TEL.: 918 864 213