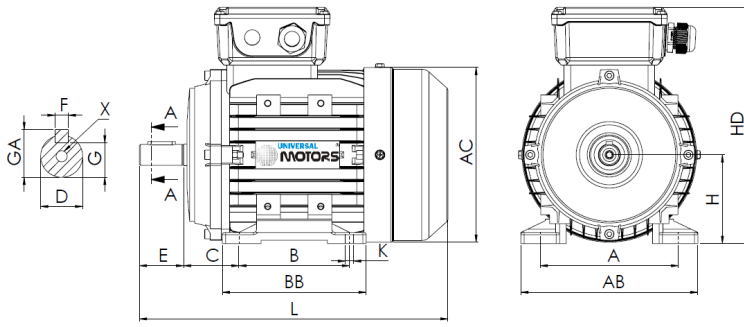


Technical Data Sheet
Electric Motor Three phase in Aluminum IE3



L (standard motor)

390

L (motor w/brake)

490

L (motor w/forced ventilation)

505

L (motor without ventilation)

340

Feet					Shaft						Carcass				Flange				
H	A	B	C	K	D	E	F	G	GA	X	AB	BB	AC	HD	M	N	P	S	T
112	190	140	70	12	28j6	60	8	24	31	M10x22	220	180	230	286	-	-	-	-	-

Electrical Data

Type	PE31/UM3A*	
	112M-6	
Poles	6/1000	Poles
Power	2.20	Kw
Voltage	400	V
Frequency	50	Hz
Speed	960	rpm
Nominal current	5.71	A
Power factor	0.66	
Efficiency 100%	84.3	%
Efficiency 75%	82.8	%
Efficiency 50%	79.6	%
Torque	21.88	N.m
Ta/Tn	2.1	
Ia/In	6.0	
Tm/Tn	2.1	

Mechanical Data

Shaft height	112
Construction form	B3
Mechanical protection	55
Heating class	B
Insulation class	F
Service	S1
Ambient temp.	-10°C-40°C
Altitude	1000
Noise	70 dB(A)
Weight	32 kg
Bearing DE	6306 2Z C3
Bearing NDE	6306 2Z C3

Extra Data

Applicable brakes

DC brake	REB-05-14	Brake torque	60	N.m
AC brake	NA	Brake torque	NA	N.m

Applicable forced ventilations

Single-phase forced ventilation	Power	80	W
Three-phase forced ventilation	Power	80	W

Universal Motors S.A.
Rua Comendador Brandão, 484
4495-375 Póvoa de Varzim
geral@universalmotors.pt
TEL.: 252 299 080

Universal Motors UK, Ltd
Unit E2, Meltham Mills Road
West Yorkshire HD9 4AR
enquiries@universalmotors-group.co.uk
TEL.: +44(0) 1484660222

Universal Motors SL
C/La Habana n.6 nave 4 Pl Camporoso
28806 Alcala de Henares
info@universalmotors-group.es
TEL.: 918 864 213