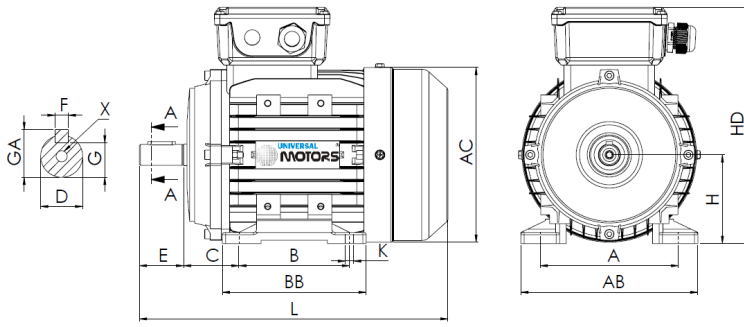


Technical Data Sheet
 Electric Motor Three phase in Aluminum IE2



L (standard motor)

439

L (motor w/brake)

530

L (motor w/forced ventilation)

565

L (motor without ventilation)

341

Feet					Shaft						Carcass				Flange				
H	A	B	C	K	D	E	F	G	GA	X	AB	BB	AC	HD	M	N	P	S	T
132	216	140	89	12	38k6	80	10	33	41	M12x28	254	176	265	324	-	-	-	-	-

Electrical Data

Type	HE31/UMHA*	
	132S-4	
Poles	4/1500	Poles
Power	5.50	Kw
Voltage	400	V
Frequency	50	Hz
Speed	1430	rpm
Nominal current	11.04	A
Power factor	0.82	
Efficiency 100%	87.7	%
Efficiency 75%	88.0	%
Efficiency 50%	87.7	%
Torque	36.1	N.m
Ta/Tn	2	
Ia/In	7.5	
Tm/Tn	2.3	

Mechanical Data

Shaft height	132
Construction form	B3
Mechanical protection	55
Heating class	B
Insulation class	F
Service	S3-70%
Ambient temp.	-10°C-40°C
Altitude	1000
Noise	75 dB(A)
Weight	50.5 kg
Bearing DE	6308 2Z C3
Bearing NDE	6308 2Z C3

Extra Data

Applicable brakes

DC brake	REB-05-16	Brake torque	80	N.m
AC brake	AC7	Brake torque	90	N.m

Applicable forced ventilations

Single-phase forced ventilation	Power	55	W
Three-phase forced ventilation	Power	55	W

Universal Motors S.A.
 Rua Comendador Brandão, 484
 4495-375 Póvoa de Varzim
geral@universalmotors.pt
 TEL.: 252 299 080

Universal Motors UK, Ltd
 Unit E2, Meltham Mills Road
 West Yorkshire HD9 4AR
enquiries@universalmotors-group.co.uk
 TEL.: +44(0) 1484660222

Universal Motors SL
 C/La Habana n.6 nave 4 Pl Camporoso
 28806 Alcala de Henares
info@universalmotors-group.es
 TEL.: 918 864 213