

MODEL	X225	
Ø OUTPUT SHAFT	20	mm
APPROXIMATE RATIO	5	
EXACT RATIO	4.83	
OUTPUT SPEED	292	RPM
EXACT OUTPUT SPEED	302	RPM
INPUT POWER	0.12	KW
INPUT ROTATION	1400	RPM
INPUT PAM	63B5	
OUTPUT TORQUE	3.80	N.m
NOMINAL TORQUE	30.00	N.m
NOMINAL POWER	0.95	KW
SERVICE FACTOR	7.92	
DYNAMIC EFFICIENCY	0.96	

#### Oil Quantity (L)

B3/H1	B6/H4	B7/H3	B8/H2	V5/H5	V6/H6
0.25	0.25	0.25	0.25	0.43	0.31

#### Radial and Axial Loads

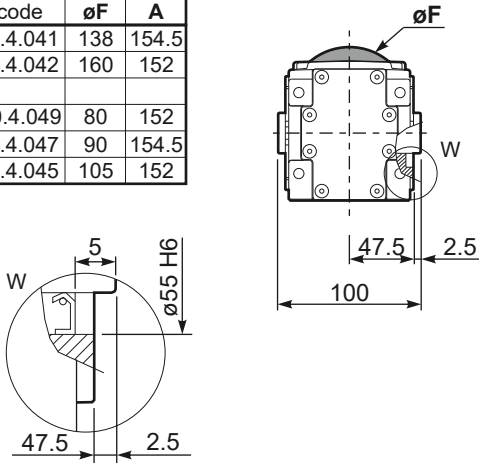


$n_2$ [min <sup>-1</sup> ]	FA [N]	FR [N]
400	360	1800
150	420	2100
75	440	2200
25	440	2200

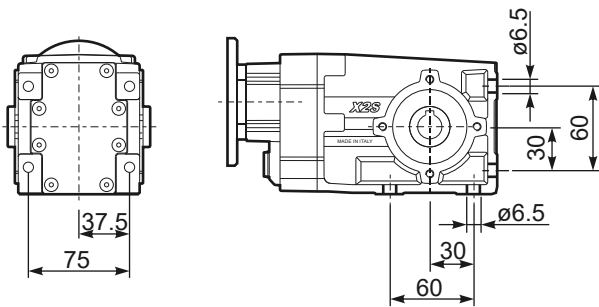
**P**X22SC... Basic Gearbox  
Riduttore base

Gearbox weight  
peso riduttore **3.70 kg**

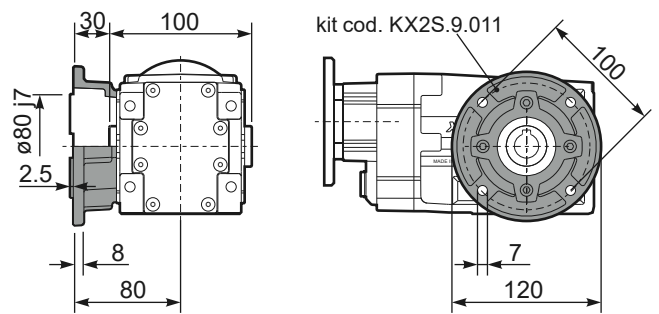
M. flanges	Kit code	øF	A
<b>63B5</b>	K050.4.041	138	154.5
<b>71B5</b>	K050.4.042	160	152
<b>56B14</b>	KC40.4.049	80	152
<b>63B14</b>	K050.4.047	90	154.5
<b>71B14</b>	K050.4.045	105	152



PX22S...**FB**.. Feet  
Piedini



PX22S...**-F1**.. Output flange  
Flangia uscita



PX22S**A**.. Single output shaft  
Albero semplice in uscita



PX22S...**BR**.. Reaction Arm  
Braccio di reazione



**R**X22S.. Input shaft  
Albero in entrata

