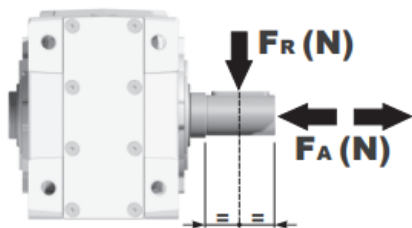


MODEL	X32S	
Ø OUTPUT SHAFT	20	mm
APPROXIMATE RATIO	18	
EXACT RATIO	18.04	
OUTPUT SPEED	81	RPM
EXACT OUTPUT SPEED	81	RPM
INPUT POWER	0.75	KW
INPUT ROTATION	1400	RPM
INPUT PAM	80B5	
OUTPUT TORQUE	88.60	N.m
NOMINAL TORQUE	90.00	N.m
NOMINAL POWER	0.76	KW
SERVICE FACTOR	1.01	
DYNAMIC EFFICIENCY	0.96	

Oil Quantity (L)

B3/H1	B6/H4	B7/H3	B8/H2	V5/H5	V6/H6
0.4	0.6	0.4	0.6	0.85	0.6

Radial and Axial Loads

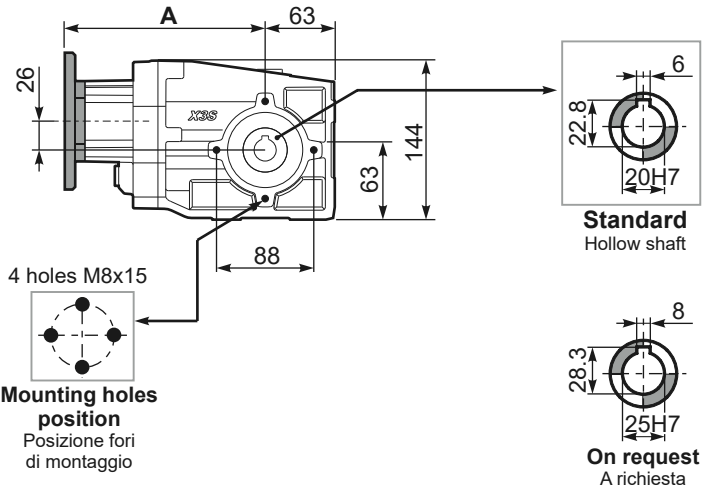


n_2 [min-1]	F_A [N]	F_R [N]
250	400	2000
100	500	2500
50	560	2800
15	560	2800

PX32SC... Basic Gearbox
Riduttore base

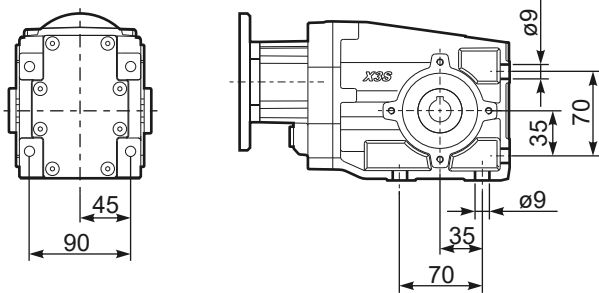
Gearbox weight
peso riduttore **6.30 kg**

M. flanges	Kit code	øF	A
63B5	K063.4.041	140	184
71B5	K063.4.042	160	182
80/90B5	K063.4.043	200	184
71B14	K063.4.047	105	182
80B14	K063.4.046	120	184
90B14	K063.4.041	140	184

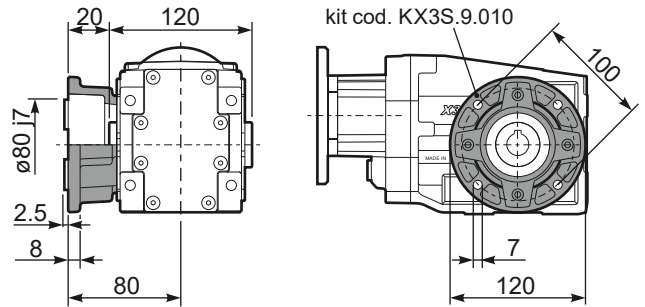


4 holes M8x15
Mounting holes position
Posizione fori di montaggio

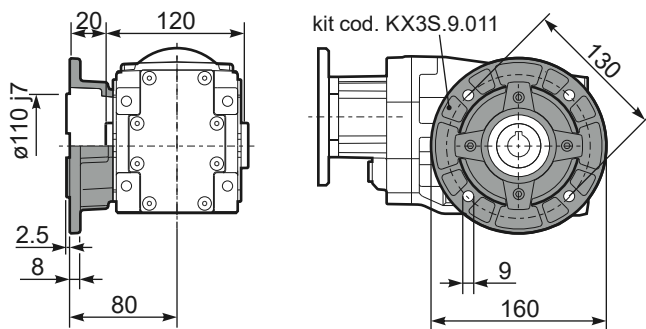
PX32S...FB.. Feet
Piedini



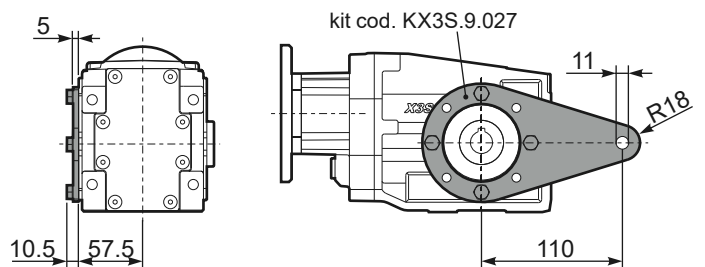
PX32S...-F1.. Output flange
Flangia uscita



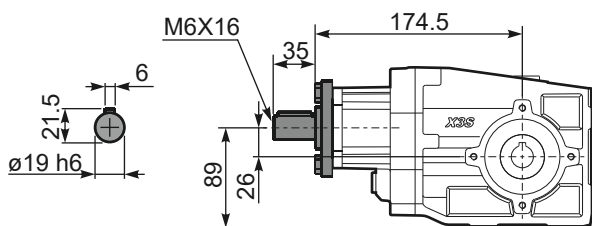
PX32S...-F2.. Output flange
Flangia uscita



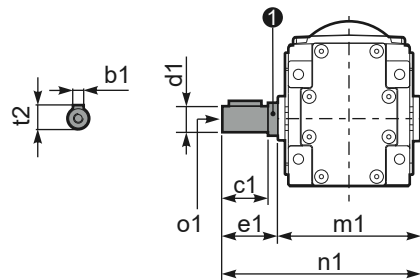
PX32S...BR.. Reaction Arm
Braccio di reazione



RX32S... Input shaft
Albero in entrata



PX32SA.. Single output shaft
Albero semplice in uscita



d1	b1	c1	e1	m1	n1	t2	o1	1	kit code
ø20 k6	6	37.5	40	120	160	22.5	M8x20		KX2S.5.028
ø25 ^{-0.005} _{-0.020}	8	60	63.2	126.8	190	28	M8x20		K063.5.028