

MODEL	X335	
Ø OUTPUT SHAFT	20	mm
APPROXIMATE RATIO	273	
EXACT RATIO	273.16	
OUTPUT SPEED	5	RPM
EXACT OUTPUT SPEED	5	RPM
INPUT POWER	0.09	KW
INPUT ROTATION	1400	RPM
INPUT PAM	56B14	
OUTPUT TORQUE	157.63	N.m
NOMINAL TORQUE	100.00	N.m
NOMINAL POWER	0.06	KW
SERVICE FACTOR	0.67	
DYNAMIC EFFICIENCY	0.94	

#### Oil Quantity (L)

B3/H1	B6/H4	B7/H3	B8/H2	V5/H5	V6/H6
0.7	0.65	0.4	0.65	0.95	0.65

#### Radial and Axial Loads



$n_2$ [min-1]	$F_A$ [N]	$F_R$ [N]
250	400	2000
100	500	2500
50	560	2800
15	560	2800

**PX33SC...** Basic Gearbox  
Riduttore base

Gearbox weight  
peso riduttore **6.55 kg**

M. flanges	Kit code	øF	A
<b>63B5</b>	K050.4.041	138	189.5
<b>71B5</b>	K050.4.042	160	187
<b>56B14</b>	KC40.4.049	80	187
<b>63B14</b>	K050.4.047	90	189.5
<b>71B14</b>	K050.4.045	105	187



4 holes M8x15  
Mounting holes position  
Posizione fori di montaggio

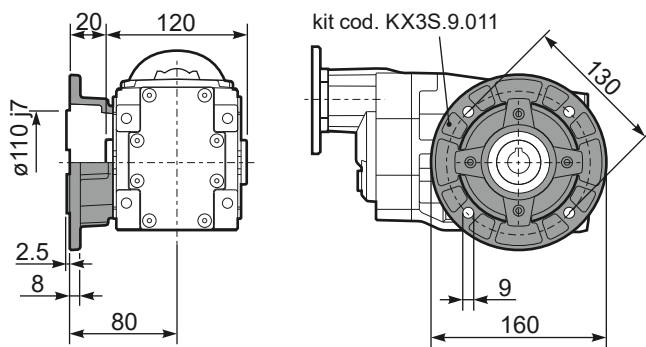
**PX33S...FB..** Feet  
Piedini



**PX33S...-F1..** Output flange  
Flangia uscita



**PX33S...-F2..** Output flange  
Flangia uscita



**PX33S...BR..** Reaction Arm  
Braccio di reazione



**RX33S...** Input shaft  
Albero in entrata



**PX33SA..** Single output shaft  
Albero semplice in uscita



d1	b1	c1	e1	m1	n1	t2	o1	1 kit code
ø20 k6	6	37.5	40	120	160	22.5	M8x20	KX2S.5.028
ø25 <sup>-0.005</sup> <sub>-0.020</sub>	8	60	63.2	126.8	190	28	M8x20	K063.5.028