

MODEL	X335	
Ø OUTPUT SHAFT	20	mm
APPROXIMATE RATIO	92	
EXACT RATIO	92.31	
OUTPUT SPEED	16	RPM
EXACT OUTPUT SPEED	16	RPM
INPUT POWER	0.18	KW
INPUT ROTATION	1400	RPM
INPUT PAM	63B5	
OUTPUT TORQUE	106.54	N.m
NOMINAL TORQUE	100.00	N.m
NOMINAL POWER	0.17	KW
SERVICE FACTOR	0.94	
DYNAMIC EFFICIENCY	0.94	

#### Oil Quantity (L)

B3/H1	B6/H4	B7/H3	B8/H2	V5/H5	V6/H6
0.7	0.65	0.4	0.65	0.95	0.65

#### Radial and Axial Loads



$n_2$ [min <sup>-1</sup> ]	FA [N]	FR [N]
250	400	2000
100	500	2500
50	560	2800
15	560	2800

**PX33SC...** Basic Gearbox  
Riduttore base

Gearbox weight  
peso riduttore **6.55 kg**

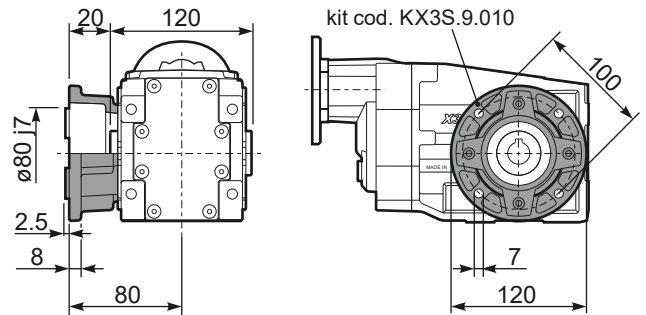
M. flanges	Kit code	øF	A
<b>63B5</b>	K050.4.041	138	189.5
<b>71B5</b>	K050.4.042	160	187
<b>56B14</b>	KC40.4.049	80	187
<b>63B14</b>	K050.4.047	90	189.5
<b>71B14</b>	K050.4.045	105	187



**PX33S...FB..** Feet  
Piedini



**PX33S...-F1..** Output flange  
Flangia uscita



**PX33S...-F2..** Output flange  
Flangia uscita



**PX33S...BR..** Reaction Arm  
Braccio di reazione



**RX33S...** Input shaft  
Albero in entrata



**PX33SA..** Single output shaft  
Albero semplice in uscita



d1	b1	c1	e1	m1	n1	t2	o1	1 kit code
ø20 k6	6	37.5	40	120	160	22.5	M8x20	KX2S.5.028
ø25 <sup>-0.005</sup> <sub>-0.020</sub>	8	60	63.2	126.8	190	28	M8x20	K063.5.028