

MODEL	X42A	
Ø OUTPUT SHAFT	25	mm
APPROXIMATE RATIO	15	
EXACT RATIO	15.27	
OUTPUT SPEED	97	RPM
EXACT OUTPUT SPEED	96	RPM
INPUT POWER	1.50	KW
INPUT ROTATION	1400	RPM
INPUT PAM	90B14	
OUTPUT TORQUE	149.98	N.m
NOMINAL TORQUE	150.00	N.m
NOMINAL POWER	1.5	KW
SERVICE FACTOR	1.00	
DYNAMIC EFFICIENCY	0.96	

#### Oil Quantity (L)

B3/H1	B6/H4	B7/H3	B8/H2	V5/H5	V6/H6
0.6	0.75	0.5	0.7	1.1	0.6

#### Radial and Axial Loads

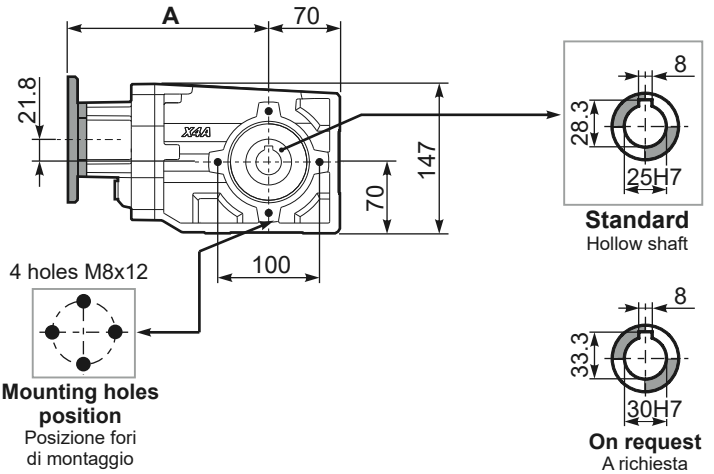


$n_2$ [min-1]	FA [N]	FR [N]
250	500	2500
100	700	3500
50	960	4800
15	960	4800

**PX42AC...** Basic Gearbox  
Riduttore base

Gearbox weight  
peso riduttore **7.82 kg**

M. flanges	Kit code	øF	A
<b>63B5</b>	K063.4.041	140	199.5
<b>71B5</b>	K063.4.042	160	197.5
<b>80/90B5</b>	K063.4.043	200	199.5
<b>100/112B5</b>	KC40.4.043	250	214.3
<b>71B14</b>	K063.4.047	105	197.5
<b>80B14</b>	K063.4.046	120	199.5
<b>90B14</b>	K063.4.041	140	199.5
<b>100/112B14</b>	KC40.4.041	160	214.5



**PX42A...FB..** Feet  
Piedini



**PX42A...-F2..** Output flange  
Flangia uscita



**PX42A...-F3..** Output flange  
Flangia uscita



**PX42A...BR..** Reaction Arm  
Braccio di reazione



**RX42A...** Input shaft  
Albero in entrata



**PX42AA..** Single output shaft  
Albero semplice in uscita

