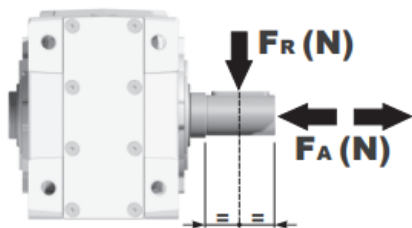


| | | |
|--------------------|--------|-----|
| MODEL | X43A | |
| Ø OUTPUT SHAFT | 25 | mm |
| APPROXIMATE RATIO | 50 | |
| EXACT RATIO | 50.35 | |
| OUTPUT SPEED | 29 | RPM |
| EXACT OUTPUT SPEED | 29 | RPM |
| INPUT POWER | 0.25 | KW |
| INPUT ROTATION | 1400 | RPM |
| INPUT PAM | 71B14 | |
| OUTPUT TORQUE | 80.71 | N.m |
| NOMINAL TORQUE | 150.00 | N.m |
| NOMINAL POWER | 0.46 | KW |
| SERVICE FACTOR | 1.84 | |
| DYNAMIC EFFICIENCY | 0.94 | |

Oil Quantity (L)

| B3/H1 | B6/H4 | B7/H3 | B8/H2 | V5/H5 | V6/H6 |
|-------|-------|-------|-------|-------|-------|
| 0.8 | 0.8 | 0.6 | 0.8 | 1.2 | 0.7 |

Radial and Axial Loads

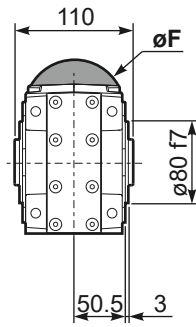


| n_2 [min-1] | FA [N] | FR [N] |
|---------------|--------|--------|
| 250 | 500 | 2500 |
| 100 | 700 | 3500 |
| 50 | 960 | 4800 |
| 15 | 960 | 4800 |

PX43AC... Basic Gearbox
Riduttore base

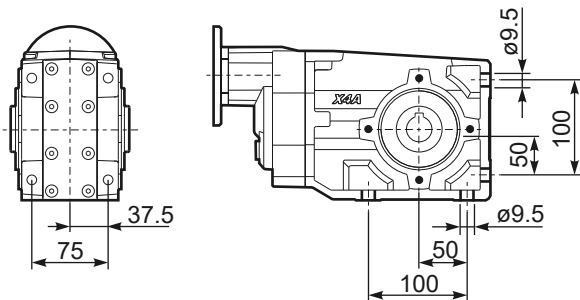
Gearbox weight
peso riduttore **7.93 kg**

| M. flanges | Kit code | øF | A |
|--------------|------------|-----|-------|
| 63B5 | K050.4.041 | 138 | 205 |
| 71B5 | K050.4.042 | 160 | 202.5 |
| 56B14 | KC40.4.049 | 80 | 202.5 |
| 63B14 | K050.4.047 | 90 | 205 |
| 71B14 | K050.4.045 | 105 | 202.5 |

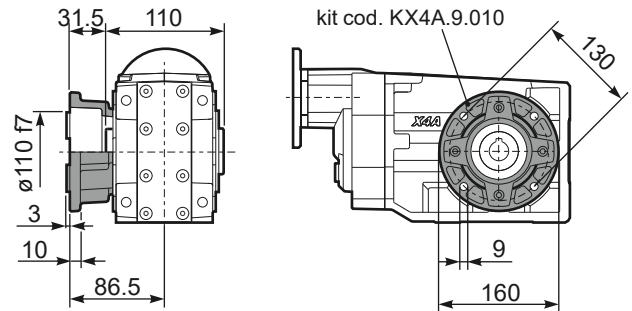


4 holes M8x12
Mounting holes position
Posizione fori di montaggio

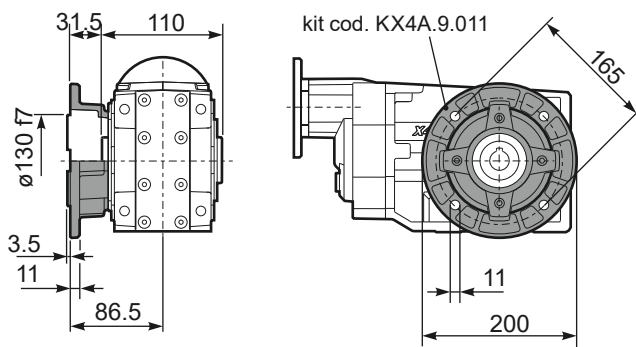
PX43A...FB.. Feet
Piedini



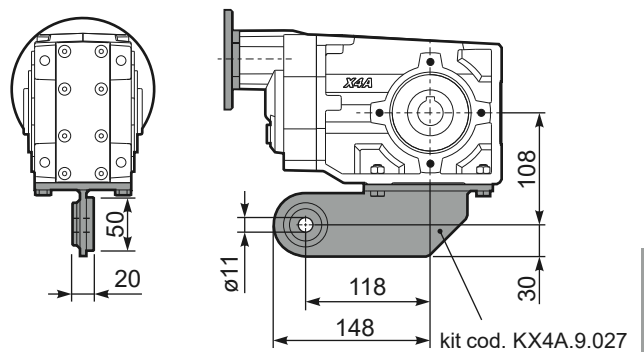
PX43A...-F2.. Output flange
Flangia uscita



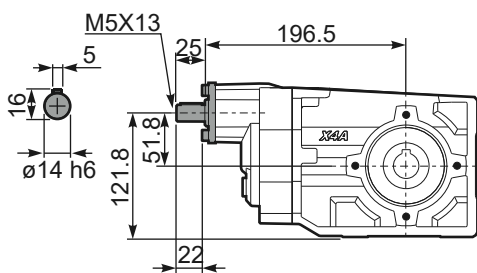
PX43A...-F3.. Output flange
Flangia uscita



PX43A...BR.. Reaction Arm
Braccio di reazione



RX43A... Input shaft
Albero in entrata



PX43AA.. Single output shaft
Albero semplice in uscita

