

MODEL	X43A	
Ø OUTPUT SHAFT	25	mm
APPROXIMATE RATIO	150	
EXACT RATIO	150.18	
OUTPUT SPEED	10	RPM
EXACT OUTPUT SPEED	10	RPM
INPUT POWER	0.12	KW
INPUT ROTATION	1400	RPM
INPUT PAM	63B14	
OUTPUT TORQUE	115.55	N.m
NOMINAL TORQUE	150.00	N.m
NOMINAL POWER	0.17	KW
SERVICE FACTOR	1.42	
DYNAMIC EFFICIENCY	0.94	

#### Oil Quantity (L)

B3/H1	B6/H4	B7/H3	B8/H2	V5/H5	V6/H6
0.8	0.8	0.6	0.8	1.2	0.7

#### Radial and Axial Loads



$n_2$ [min-1]	$F_A$ [N]	$F_R$ [N]
250	500	2500
100	700	3500
50	960	4800
15	960	4800

**PX43AC...** Basic Gearbox  
Riduttore base

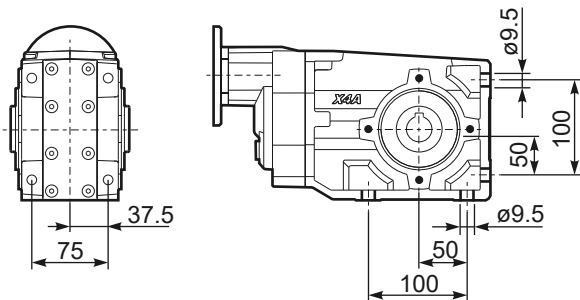
Gearbox weight  
peso riduttore **7.93 kg**

M. flanges	Kit code	øF	A
<b>63B5</b>	K050.4.041	138	205
<b>71B5</b>	K050.4.042	160	202.5
<b>56B14</b>	KC40.4.049	80	202.5
<b>63B14</b>	K050.4.047	90	205
<b>71B14</b>	K050.4.045	105	202.5

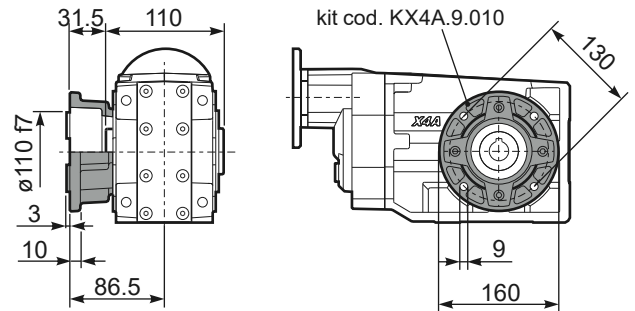


4 holes M8x12  
Mounting holes position  
Posizione fori di montaggio

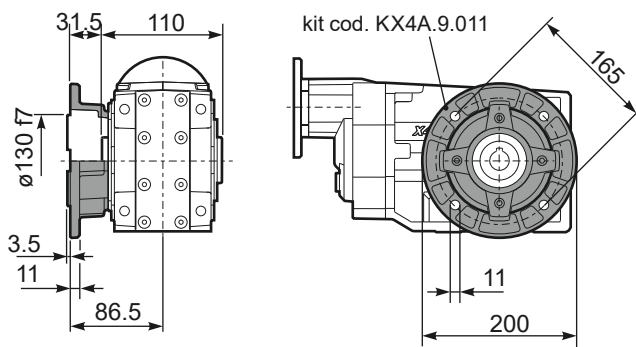
**PX43A...FB..** Feet  
Piedini



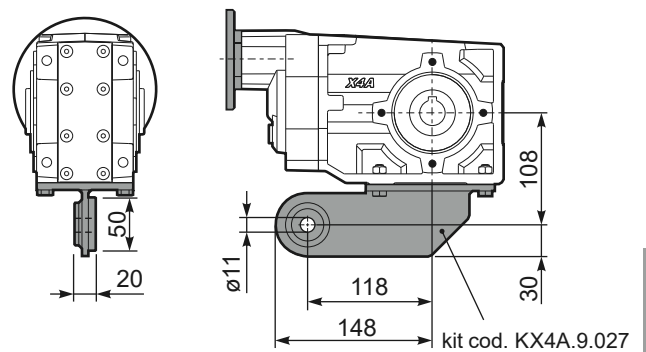
**PX43A...-F2..** Output flange  
Flangia uscita



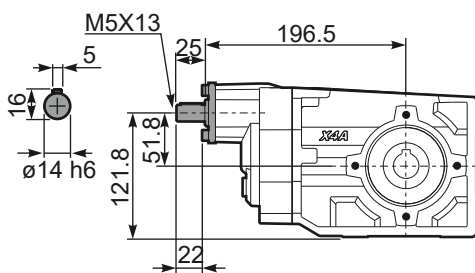
**PX43A...-F3..** Output flange  
Flangia uscita



**PX43A...BR..** Reaction Arm  
Braccio di reazione



**RX43A...** Input shaft  
Albero in entrata



**PX43AA..** Single output shaft  
Albero semplice in uscita

