

MODEL	X53A	
Ø OUTPUT SHAFT	30	mm
APPROXIMATE RATIO	87	
EXACT RATIO	87.23	
OUTPUT SPEED	17	RPM
EXACT OUTPUT SPEED	17	RPM
INPUT POWER	0.55	KW
INPUT ROTATION	1400	RPM
INPUT PAM	80B14	
OUTPUT TORQUE	307.61	N.m
NOMINAL TORQUE	250.00	N.m
NOMINAL POWER	0.45	KW
SERVICE FACTOR	0.82	
DYNAMIC EFFICIENCY	0.94	

#### Oil Quantity (L)

B3/H1	B6/H4	B7/H3	B8/H2	V5/H5	V6/H6
1.3	1.55	0.85	1.45	2.1	1.25

#### Radial and Axial Loads

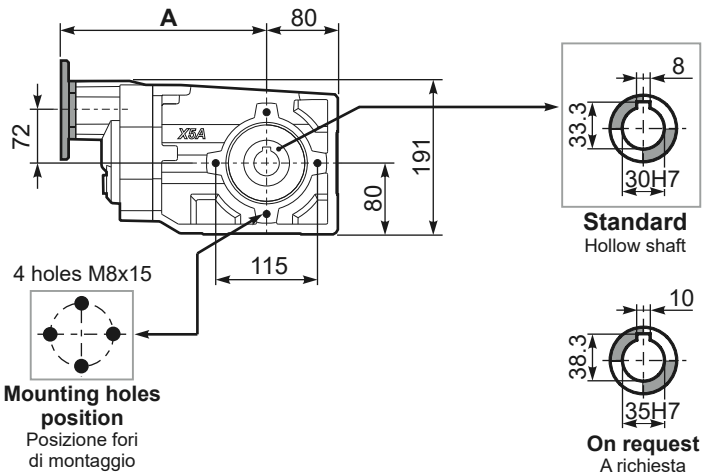
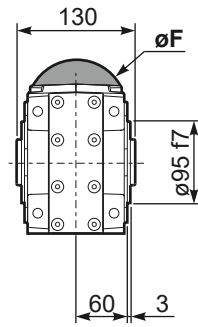


$n_2$ [min-1]	FA [N]	FR [N]
250	600	3000
100	800	4000
50	960	4800
15	1660	8300

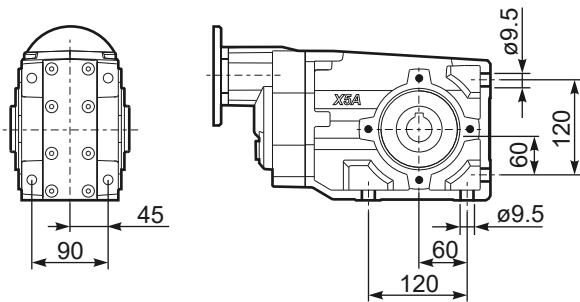
**PX53AC...** Basic Gearbox  
Riduttore base

Gearbox weight **12.65 kg**  
peso riduttore

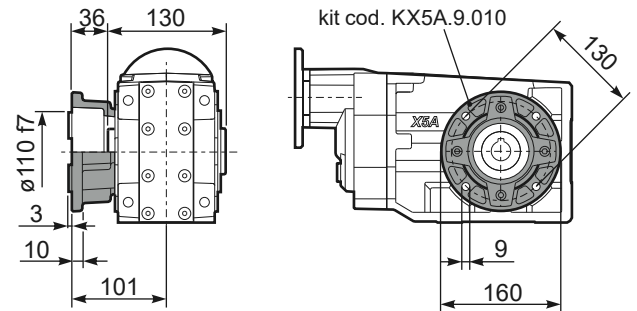
M. flanges	Kit code	øF	A
<b>63B5</b>	K063.4.041	140	246
<b>71B5</b>	K063.4.042	160	244
<b>80/90B5</b>	K063.4.043	200	246
<b>71B14</b>	K063.4.047	105	244
<b>80B14</b>	K063.4.046	120	246
<b>90B14</b>	K063.4.041	140	246



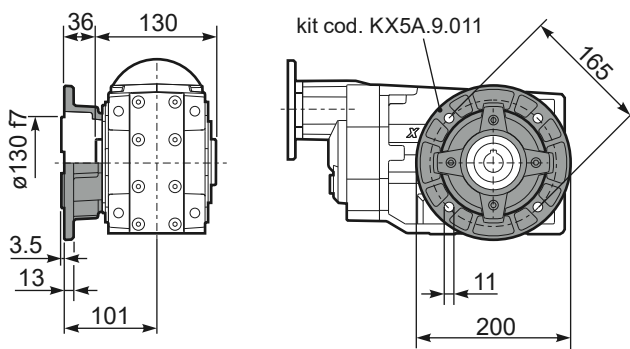
**PX53A...FB..** Feet  
Piedini



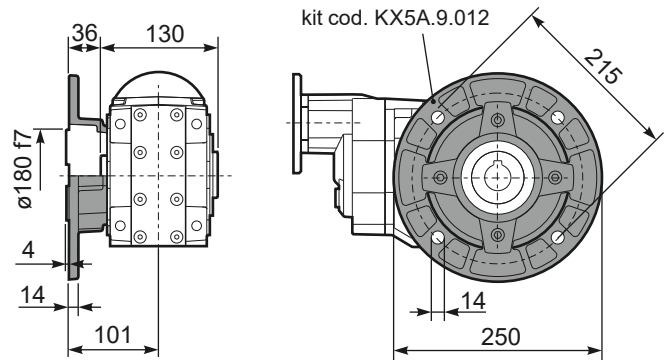
**PX53A...-F2..** Output flange  
Flangia uscita



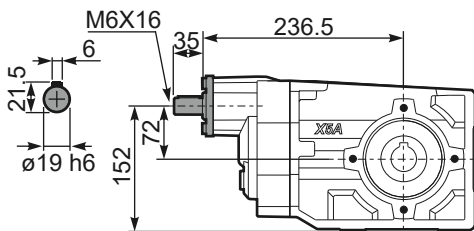
**PX53A...-F3..** Output flange  
Flangia uscita



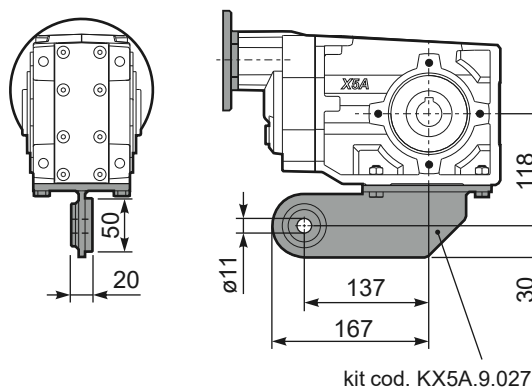
**PX53A...-F4..** Output flange  
Flangia uscita



**RX53A...** Input shaft  
Albero in entrata



**PX53A...BR..** Reaction Arm  
Braccio di reazione



**PX53AA..** Single output shaft  
Albero semplice in uscita

