

MODEL	X53A	
Ø OUTPUT SHAFT	30	mm
APPROXIMATE RATIO	116	
EXACT RATIO	116.45	
OUTPUT SPEED	13	RPM
EXACT OUTPUT SPEED	13	RPM
INPUT POWER	0.25	KW
INPUT ROTATION	1400	RPM
INPUT PAM	71B14	
OUTPUT TORQUE	186.66	N.m
NOMINAL TORQUE	250.00	N.m
NOMINAL POWER	0.33	KW
SERVICE FACTOR	1.32	
DYNAMIC EFFICIENCY	0.94	

Oil Quantity (L)

B3/H1	B6/H4	B7/H3	B8/H2	V5/H5	V6/H6
1.3	1.55	0.85	1.45	2.1	1.25

Radial and Axial Loads

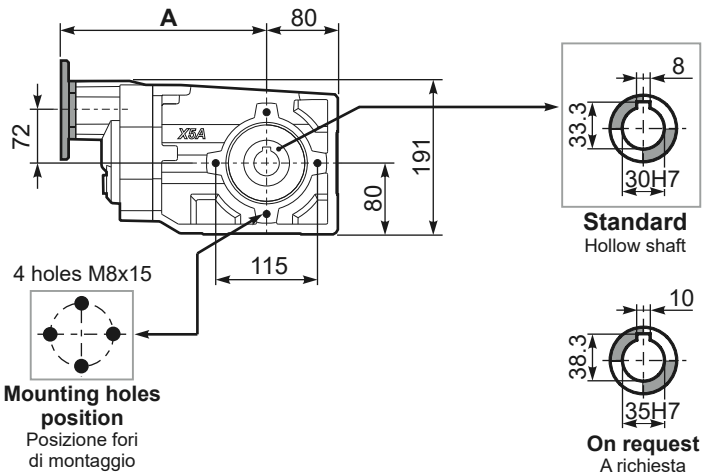
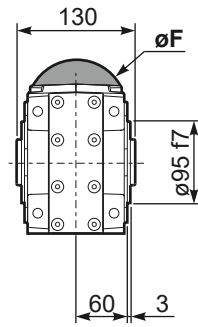


n_2 [min-1]	F_A [N]	F_R [N]
250	600	3000
100	800	4000
50	960	4800
15	1660	8300

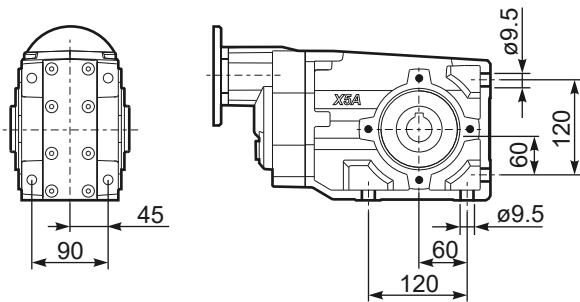
PX53AC... Basic Gearbox
Riduttore base

Gearbox weight **12.65 kg**
peso riduttore

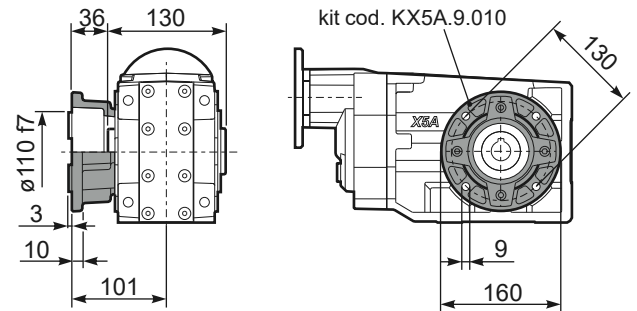
M. flanges	Kit code	øF	A
63B5	K063.4.041	140	246
71B5	K063.4.042	160	244
80/90B5	K063.4.043	200	246
71B14	K063.4.047	105	244
80B14	K063.4.046	120	246
90B14	K063.4.041	140	246



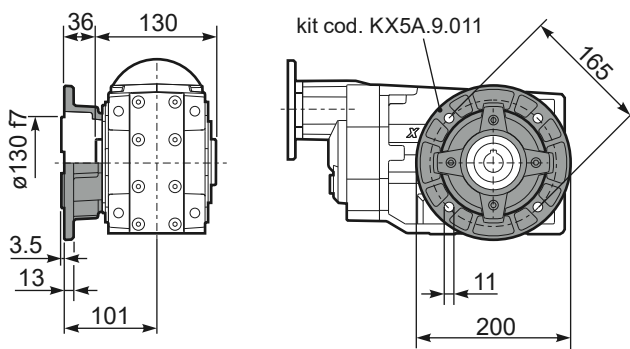
PX53A...FB.. Feet
Piedini



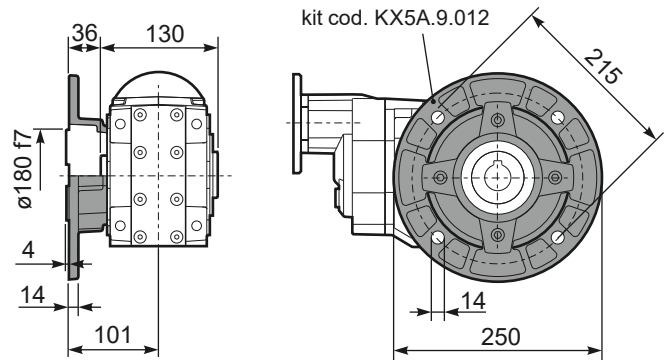
PX53A...-F2.. Output flange
Flangia uscita



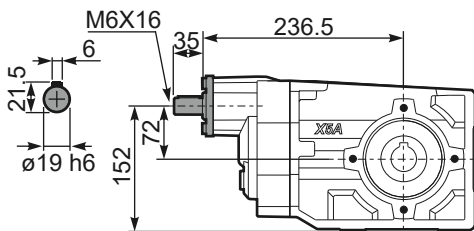
PX53A...-F3.. Output flange
Flangia uscita



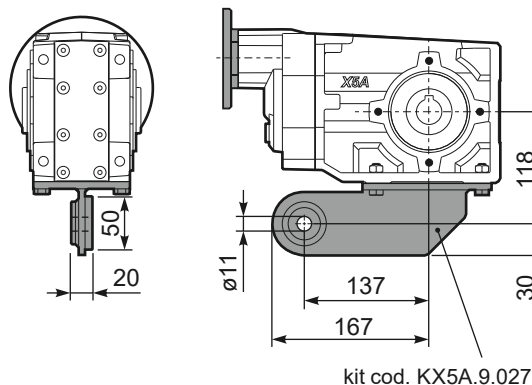
PX53A...-F4.. Output flange
Flangia uscita



RX53A... Input shaft
Albero in entrata



PX53A...BR.. Reaction Arm
Braccio di reazione



PX53AA.. Single output shaft
Albero semplice in uscita

