

MODEL	X62A	
Ø OUTPUT SHAFT	35	mm
APPROXIMATE RATIO	54	
EXACT RATIO	54.33	
OUTPUT SPEED	27	RPM
EXACT OUTPUT SPEED	27	RPM
INPUT POWER	0.55	KW
INPUT ROTATION	1400	RPM
INPUT PAM	80B14	
OUTPUT TORQUE	195.67	N.m
NOMINAL TORQUE	410.00	N.m
NOMINAL POWER	1.2	KW
SERVICE FACTOR	2.18	
DYNAMIC EFFICIENCY	0.96	

#### Oil Quantity (L)

B3/H1	B6/H4	B7/H3	B8/H2	V5/H5	V6/H6
1.25	1.7	0.95	1.6	2.45	1.5

#### Radial and Axial Loads

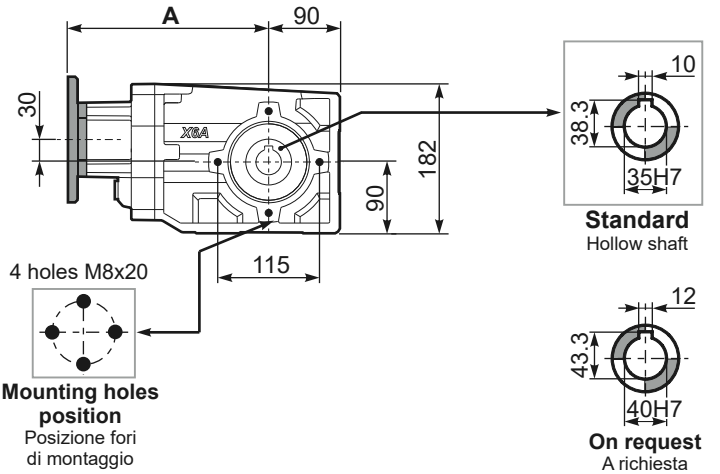


$n_2$ [min-1]	FA [N]	FR [N]
250	600	3000
100	780	3900
50	1140	5700
15	1660	8300

**PX62AC...** Basic Gearbox  
Riduttore base

Gearbox weight **15.80 kg**  
peso riduttore

M. flanges	Kit code	øF	A
<b>71B5</b>	K023.4.041	160	253
<b>80/90B5</b>	K023.4.042	200	255
<b>100/112B5</b>	K023.4.043	250	264
<b>132B5</b>	KC50.4.043	300	282
<b>80B14</b>	K085.4.046	120	255
<b>90B14</b>	K085.4.045	140	255
<b>100/112B14</b>	K085.4.047	160	264
<b>132B14</b>	KC50.4.041	200	282



**PX62A...FB..** Feet  
Piedini



**PX62A...-F2..** Output flange  
Flangia uscita



**PX62A...-F3..** Output flange  
Flangia uscita



**PX62A...-F4..** Output flange  
Flangia uscita



**RX62A...** Input shaft  
Albero in entrata



**PX62A...BR..** Reaction Arm  
Braccio di reazione



**PX62AA..** Single output shaft  
Albero semplice in uscita

