

MODEL	X62A	
Ø OUTPUT SHAFT	35	mm
APPROXIMATE RATIO	49	
EXACT RATIO	48.68	
OUTPUT SPEED	30	RPM
EXACT OUTPUT SPEED	30	RPM
INPUT POWER	0.55	KW
INPUT ROTATION	1400	RPM
INPUT PAM	80B5	
OUTPUT TORQUE	175.32	N.m
NOMINAL TORQUE	365.00	N.m
NOMINAL POWER	1.1	KW
SERVICE FACTOR	2.00	
DYNAMIC EFFICIENCY	0.96	

Oil Quantity (L)

B3/H1	B6/H4	B7/H3	B8/H2	V5/H5	V6/H6
1.25	1.7	0.95	1.6	2.45	1.5

Radial and Axial Loads

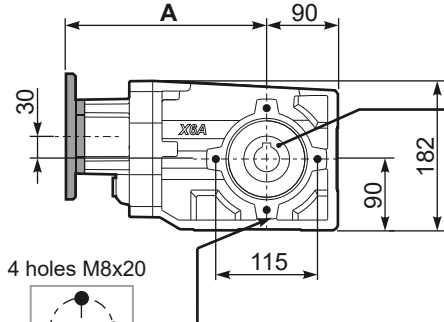
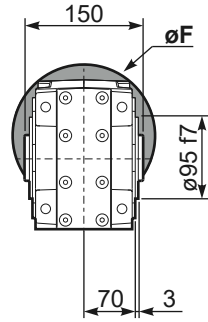


n_2 [min-1]	F_A [N]	F_R [N]
250	600	3000
100	780	3900
50	1140	5700
15	1660	8300

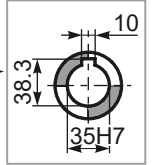
PX62AC... Basic Gearbox
Riduttore base

Gearbox weight **15.80 kg**
peso riduttore

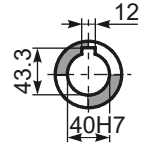
M. flanges	Kit code	øF	A
71B5	K023.4.041	160	253
80/90B5	K023.4.042	200	255
100/112B5	K023.4.043	250	264
132B5	KC50.4.043	300	282
80B14	K085.4.046	120	255
90B14	K085.4.045	140	255
100/112B14	K085.4.047	160	264
132B14	KC50.4.041	200	282



Mounting holes position
Posizione fori di montaggio

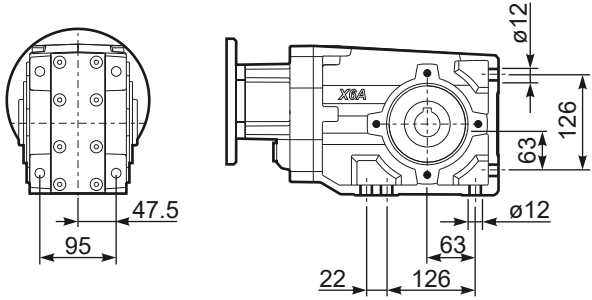


Standard
Hollow shaft

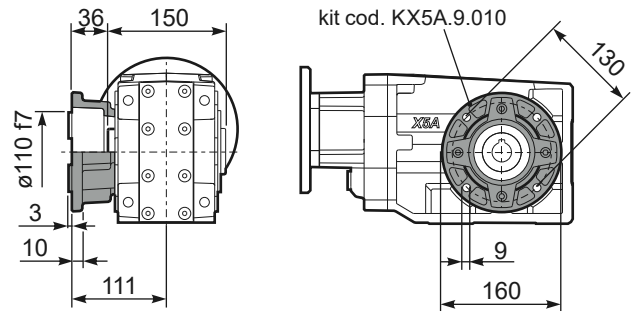


On request
A richiesta

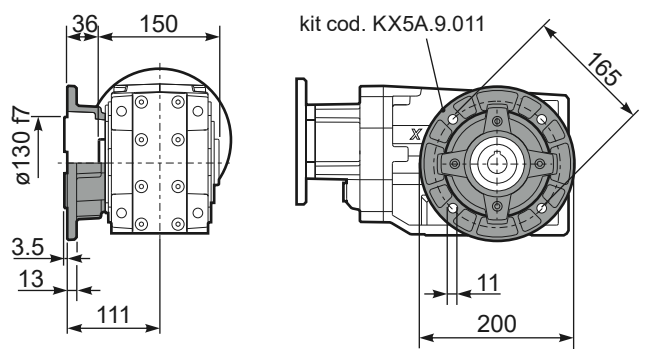
PX62A...FB.. Feet
Piedini



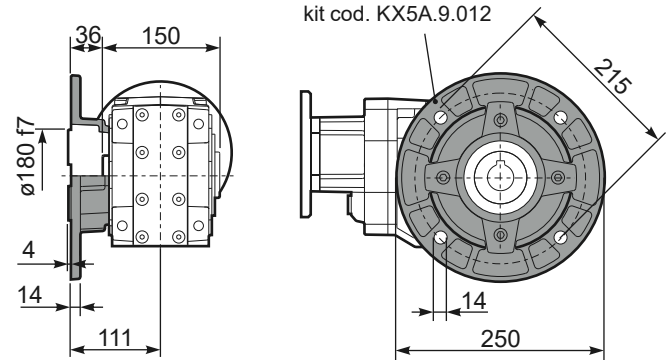
PX62A...-F2.. Output flange
Flangia uscita



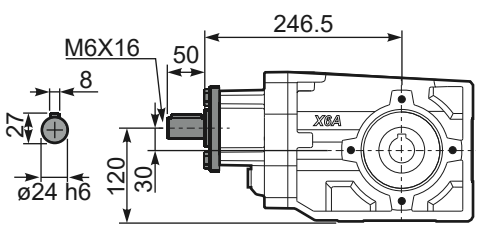
PX62A...-F3.. Output flange
Flangia uscita



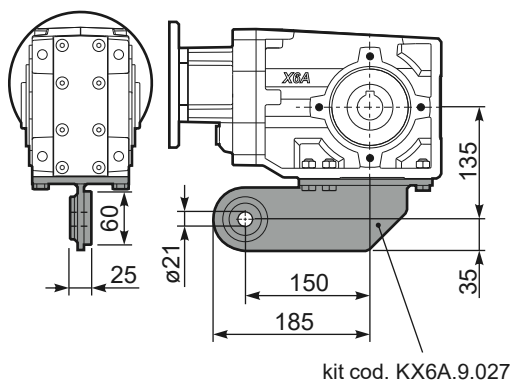
PX62A...-F4.. Output flange
Flangia uscita



RX62A... Input shaft
Albero in entrata



PX62A...BR.. Reaction Arm
Braccio di reazione



PX62AA.. Single output shaft
Albero semplice in uscita

