

|                    |        |     |
|--------------------|--------|-----|
| MODEL              | X63A   |     |
| Ø OUTPUT SHAFT     | 35     | mm  |
| APPROXIMATE RATIO  | 57     |     |
| EXACT RATIO        | 56.76  |     |
| OUTPUT SPEED       | 26     | RPM |
| EXACT OUTPUT SPEED | 26     | RPM |
| INPUT POWER        | 0.75   | KW  |
| INPUT ROTATION     | 1400   | RPM |
| INPUT PAM          | 80B14  |     |
| OUTPUT TORQUE      | 272.94 | N.m |
| NOMINAL TORQUE     | 410.00 | N.m |
| NOMINAL POWER      | 1.1    | KW  |
| SERVICE FACTOR     | 1.47   |     |
| DYNAMIC EFFICIENCY | 0.94   |     |

#### Oil Quantity (L)

| B3/H1 | B6/H4 | B7/H3 | B8/H2 | V5/H5 | V6/H6 |
|-------|-------|-------|-------|-------|-------|
| 1.8   | 1.8   | 1.05  | 1.7   | 2.6   | 1.65  |

#### Radial and Axial Loads



| $n_2$ [min-1] | FA [N] | FR [N] |
|---------------|--------|--------|
| 250           | 600    | 3000   |
| 100           | 780    | 3900   |
| 50            | 1140   | 5700   |
| 15            | 1660   | 8300   |

**PX63AC...** Basic Gearbox  
Riduttore base

Gearbox weight **15.98 kg**  
peso riduttore

| M. flanges     | Kit code   | øF  | A   |
|----------------|------------|-----|-----|
| <b>63B5</b>    | K063.4.041 | 140 | 265 |
| <b>71B5</b>    | K063.4.042 | 160 | 263 |
| <b>80/90B5</b> | K063.4.043 | 200 | 265 |
| <b>71B14</b>   | K063.4.047 | 105 | 263 |
| <b>80B14</b>   | K063.4.046 | 120 | 265 |
| <b>90B14</b>   | K063.4.041 | 140 | 265 |



**PX63A...FB..** Feet  
Piedini



**PX63A...-F2..** Output flange  
Flangia uscita



**PX63A...-F3..** Output flange  
Flangia uscita



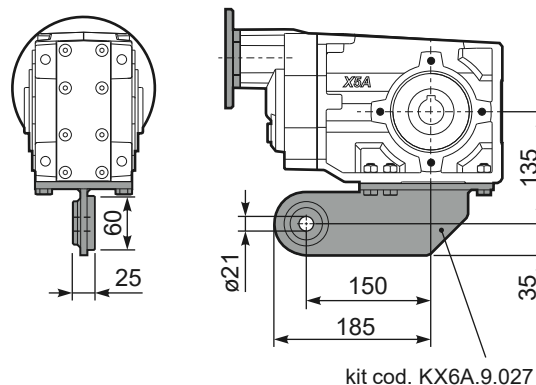
**PX63A...-F4..** Output flange  
Flangia uscita



**RX63A...** Input shaft  
Albero in entrata



**PX63A...BR..** Reaction Arm  
Braccio di reazione



**PX63AA..** Single output shaft  
Albero semplice in uscita

