

| | | |
|--------------------|--------|-----|
| MODEL | X63A | |
| Ø OUTPUT SHAFT | 35 | mm |
| APPROXIMATE RATIO | 57 | |
| EXACT RATIO | 56.76 | |
| OUTPUT SPEED | 26 | RPM |
| EXACT OUTPUT SPEED | 26 | RPM |
| INPUT POWER | 0.75 | KW |
| INPUT ROTATION | 1400 | RPM |
| INPUT PAM | 80B5 | |
| OUTPUT TORQUE | 272.94 | N.m |
| NOMINAL TORQUE | 410.00 | N.m |
| NOMINAL POWER | 1.1 | KW |
| SERVICE FACTOR | 1.47 | |
| DYNAMIC EFFICIENCY | 0.94 | |

Oil Quantity (L)

| B3/H1 | B6/H4 | B7/H3 | B8/H2 | V5/H5 | V6/H6 |
|-------|-------|-------|-------|-------|-------|
| 1.8 | 1.8 | 1.05 | 1.7 | 2.6 | 1.65 |

Radial and Axial Loads



| n_2 [min-1] | FA [N] | FR [N] |
|---------------|--------|--------|
| 250 | 600 | 3000 |
| 100 | 780 | 3900 |
| 50 | 1140 | 5700 |
| 15 | 1660 | 8300 |

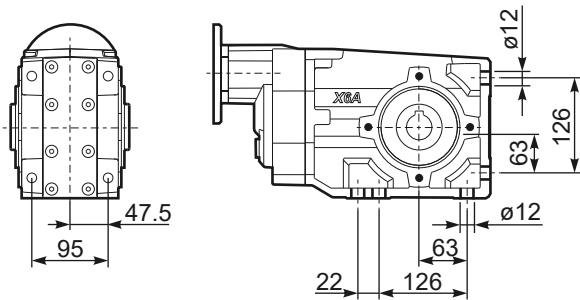
PX63AC... Basic Gearbox
Riduttore base

Gearbox weight **15.98 kg**
peso riduttore

| M. flanges | Kit code | øF | A |
|----------------|------------|-----|-----|
| 63B5 | K063.4.041 | 140 | 265 |
| 71B5 | K063.4.042 | 160 | 263 |
| 80/90B5 | K063.4.043 | 200 | 265 |
| 71B14 | K063.4.047 | 105 | 263 |
| 80B14 | K063.4.046 | 120 | 265 |
| 90B14 | K063.4.041 | 140 | 265 |



PX63A...FB.. Feet
Piedini



PX63A...-F2.. Output flange
Flangia uscita



PX63A...-F3.. Output flange
Flangia uscita



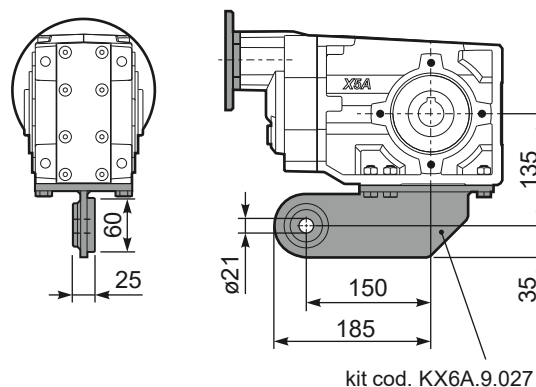
PX63A...-F4.. Output flange
Flangia uscita



RX63A... Input shaft
Albero in entrata



PX63A...BR.. Reaction Arm
Braccio di reazione



PX63AA.. Single output shaft
Albero semplice in uscita

