

Technical Data Sheet  
Gearbox  
SHAFT MOUNTED



|                    |        |     |
|--------------------|--------|-----|
| MODEL              | FA42   |     |
| Ø OUTPUT SHAFT     | 30     | mm  |
| APPROXIMATE RATIO  | 29     |     |
| EXACT RATIO        | 29.49  |     |
| OUTPUT SPEED       | 50     | RPM |
| EXACT OUTPUT SPEED | 50     | RPM |
| INPUT POWER        | 0.55   | KW  |
| INPUT ROTATION     | 1400   | RPM |
| INPUT PAM          | 80B14  |     |
| OUTPUT TORQUE      | 106.21 | N.m |
| NOMINAL TORQUE     | 320.00 | N.m |
| NOMINAL POWER      | 1.7    | KW  |
| SERVICE FACTOR     | 3.09   |     |
| DYNAMIC EFFICIENCY | 0.96   |     |



Oil Quantity (L)

| B3/H1 | B6/H4 | B7/H3 | B8/H2 | V5/H5 | V6/H6 |
|-------|-------|-------|-------|-------|-------|
| 1.15  | 0.7   | 0.7   | 0.7   | 1.2   | 0.8   |

Radial and Axial Loads



| $n_2$ [min-1] | FA [N] | FR [N] |
|---------------|--------|--------|
| 300           | 300    | 1500   |
| 200           | 350    | 1750   |
| 120           | 410    | 2050   |
| 15            | 800    | 4000   |

Universal Motors S.A.  
Rua Comendador Brandão, 484  
4495-375 Póvoa de Varzim  
[geral@universalmotors.pt](mailto:geral@universalmotors.pt)  
TEL.: 252 299 080

Universal Motors UK, Ltd  
Unit E2, Meltham Mills Road  
West Yorkshire HD9 4AR  
[enquiries@universalmotors-group.co.uk](mailto:enquiries@universalmotors-group.co.uk)  
TEL.: +44(0) 1484660222

Universal Motors SL  
C/La Habana n.6 nave 4 Pl Camporroso  
28806 Alcala de Henares  
[info@universalmotors-group.es](mailto:info@universalmotors-group.es)  
TEL.: 918 864 213

## PFA42C...

Basic gearbox  
Riduttore base

Gearbox weight  
peso riduttore **9.0 kg**

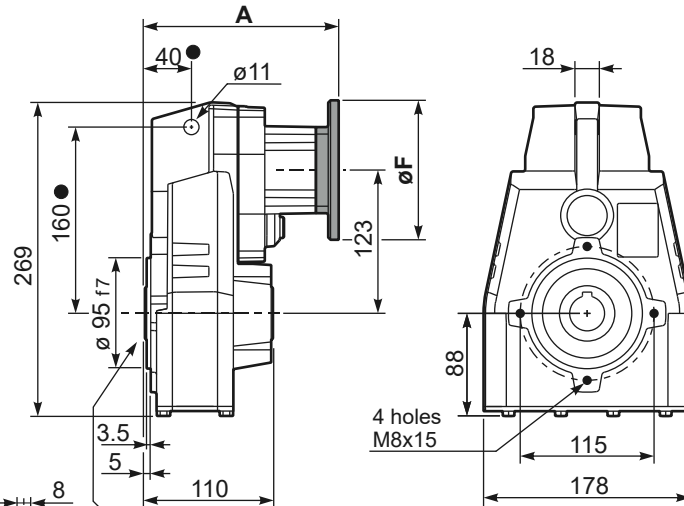
| M. flanges | Kit code   | øF  | A     |
|------------|------------|-----|-------|
| 63B5       | K063.4.041 | 140 | 169.5 |
| 71B5       | K063.4.042 | 160 | 167.5 |
| 80/90B5    | K063.4.043 | 200 | 169.5 |
| 100/112B5  | KC40.4.043 | 250 | 184.5 |
| 71B14      | K063.4.047 | 105 | 167.5 |
| 80B14      | K063.4.046 | 120 | 169.5 |
| 90B14      | K063.4.041 | 140 | 169.5 |
| 100/112B14 | KC40.4.041 | 160 | 184.5 |

● Available torque arms,  
see our web site  
Bracci di reazione disponibili,  
consulta il nostro sito web



**Standard**  
Hollow shaft

**On request**  
A richiesta



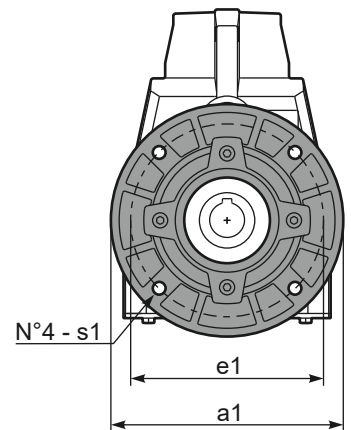
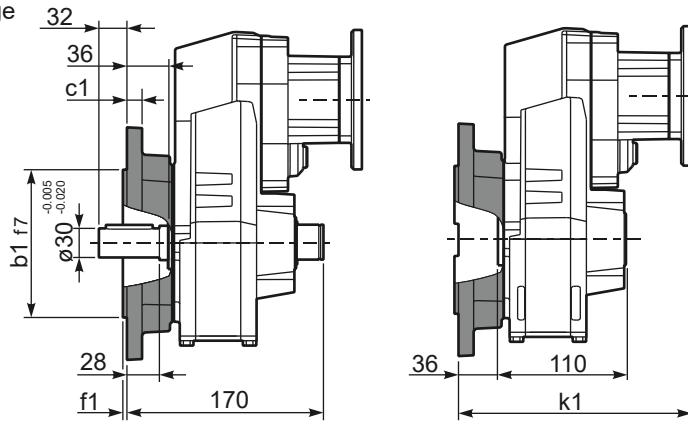
## PFA42...-F...

Output flange  
Flangia uscita

| Motor Flange | k1    |
|--------------|-------|
| 63B5         | 205.5 |
| 71B5         | 203.5 |
| 80/90B5      | 205.5 |
| 100/112B5    | 220.5 |
| 71B14        | 203.5 |
| 80B14        | 205.5 |
| 90B14        | 205.5 |
| 100/112B14   | 220.5 |

Available output flanges  
Flange di uscita

| a1 ø | b1  | c1 | e1  | f1  | s1 | Kit code   |
|------|-----|----|-----|-----|----|------------|
| 160  | 110 | 10 | 130 | 3   | 9  | KX5A.9.010 |
| 200  | 130 | 13 | 165 | 3.5 | 11 | KX5A.9.011 |
| 250  | 180 | 14 | 215 | 4   | 14 | KX5A.9.012 |



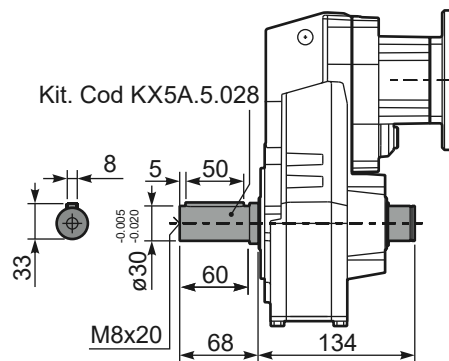
## RFA42C...

Input Shaft  
Albero in entrata



## PFA42 A...

Single output shaft  
Albero uscita semplice



## PFA42D...

Shrink disk  
Calettatore

Kit. Cod KF40.0.210LM

