

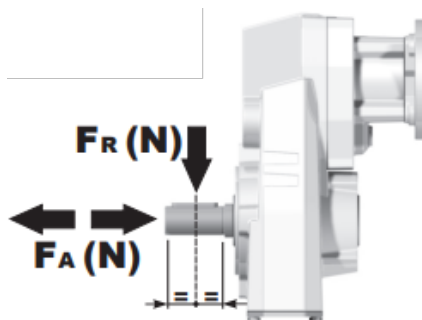
| | | |
|--------------------|--------|-----|
| MODEL | FA53 | |
| Ø OUTPUT SHAFT | 35 | mm |
| APPROXIMATE RATIO | 135 | |
| EXACT RATIO | 134.91 | |
| OUTPUT SPEED | 11 | RPM |
| EXACT OUTPUT SPEED | 11 | RPM |
| INPUT POWER | 0.37 | KW |
| INPUT ROTATION | 1400 | RPM |
| INPUT PAM | 71B5 | |
| OUTPUT TORQUE | 320.05 | N.m |
| NOMINAL TORQUE | 510.00 | N.m |
| NOMINAL POWER | 0.59 | KW |
| SERVICE FACTOR | 1.59 | |
| DYNAMIC EFFICIENCY | 0.94 | |



Oil Quantity (L)

| B3/H1 | B6/H4 | B7/H3 | B8/H2 | V5/H5 | V6/H6 |
|-------|-------|-------|-------|-------|-------|
| 2.15 | 1.25 | 1.25 | 1.45 | 2.35 | 1.45 |

Radial and Axial Loads



| n_2 [min-1] | FA [N] | FR [N] |
|---------------|--------|--------|
| 300 | 400 | 2000 |
| 200 | 440 | 2200 |
| 120 | 500 | 2500 |
| 15 | 1140 | 5700 |

PFA53C...

Basic gearbox
Riduttore base

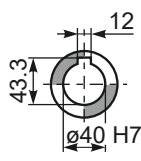
Gearbox weight
peso riduttore **15.5 kg**

| M. flanges | Kit code | øF | A |
|------------|------------|-----|-----|
| 63B5 | K063.4.041 | 140 | 239 |
| 71B5 | K063.4.042 | 160 | 237 |
| 80/90B5 | K063.4.043 | 200 | 239 |
| 71B14 | K063.4.047 | 105 | 237 |
| 80B14 | K063.4.046 | 120 | 239 |
| 90B14 | K063.4.041 | 140 | 239 |

● Available torque arms,
see our web site
Bracci di reazione disponibili,
consulta il nostro sito web



Standard
Hollow shaft



On request
A richiesta



PFA53...-F...

Output flange
Flangia uscita

| Motor Flange | k1 |
|--------------|-----|
| 63B5 | 272 |
| 71B5 | 270 |
| 80/90B5 | 272 |
| 71B14 | 270 |
| 80B14 | 272 |
| 90B14 | 272 |

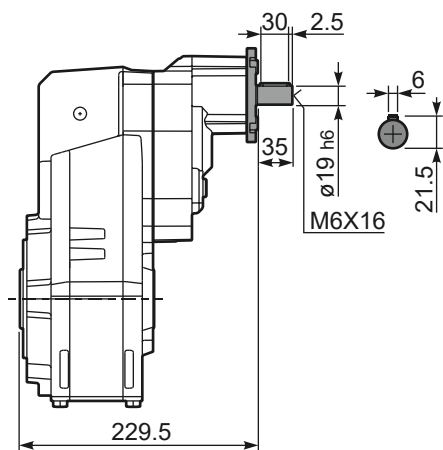


Available output flanges
Flange di uscita

| a1 ø | b1 | c1 | e1 | s1 | Kit code |
|------|-----|----|-----|----|------------|
| 250 | 180 | 13 | 215 | 14 | KF60.9.011 |
| - | - | - | - | - | - |

RFA53C...

Input Shaft
Albero in entrata



PFA53 A...

Single output shaft
Albero uscita semplice



PFA53D...

Shrink disk
Calettatore

