

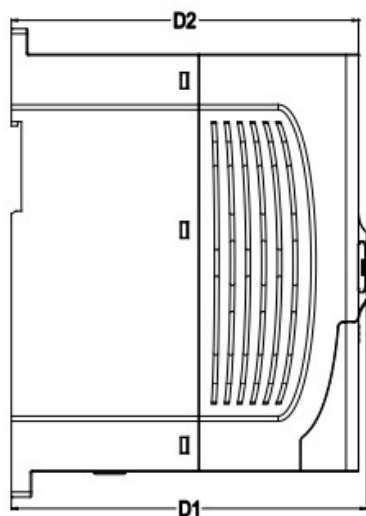
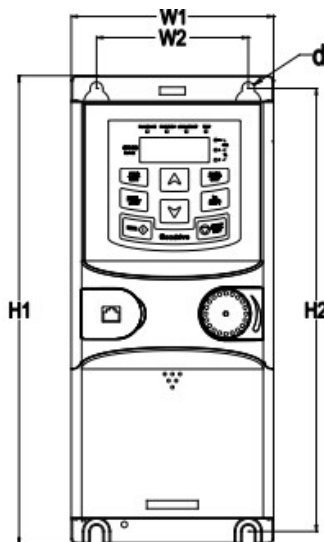
Technical Data

Power 0.75kW

SUPPLY	AC 1PH 220-240V
INPUT CURRENT G*	5 A
INPUT CURRENT P	A
OUTPUT VOLTAGE	3PH 0~Vin V
OUTPUT CURRENT G	4.2 A
OUTPUT CURRENT P	A
IP	20
EMC FILTER C3	optional
EMC FILTER C2	optional
BRAKING UNIT	built-in



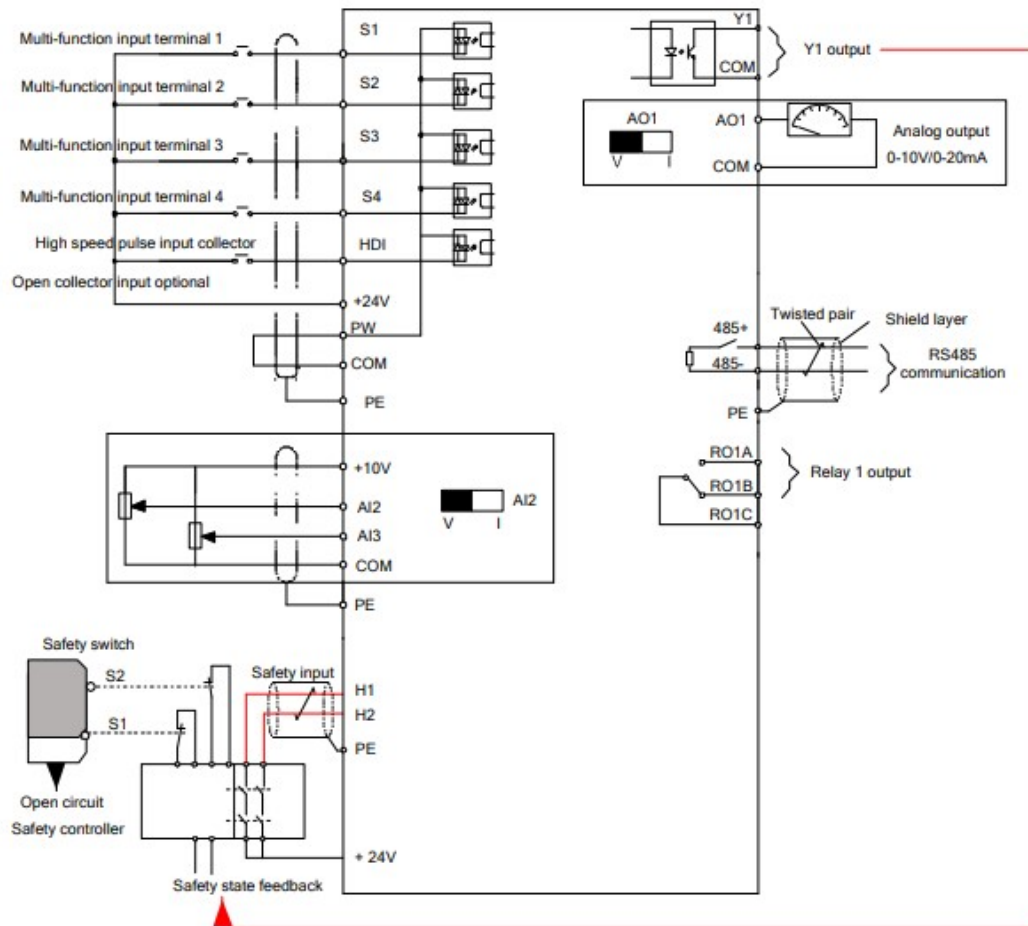
*G represents the constant torque and P represents the variable torque



Installation dimensions

H1	160 mm
H2	150 mm
H3	- mm
W1	80 mm
W2	60 mm
W3	- mm
W4	- mm
D1	123.5 mm
D2	120.3 mm
Hole diameter	5 mm
Screw	M4

Control Diagram



Packaging size

Height	215	mm
Width	125	mm
Depth	180	mm
Weight	1.1	Kg