

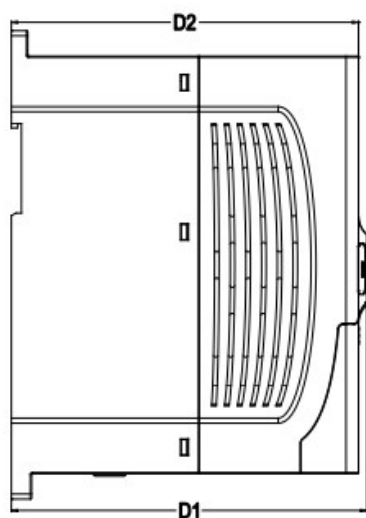
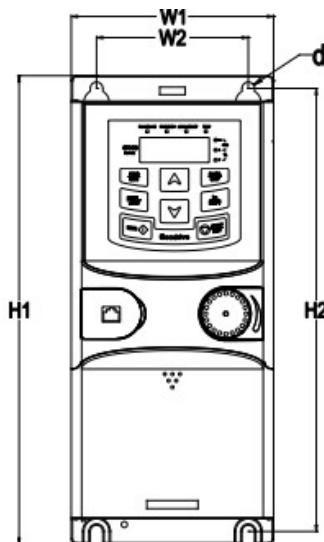
Technical Data

Power 0.75kW

| | |
|------------------|-----------------|
| SUPPLY | AC 3PH 380-440V |
| INPUT CURRENT G* | 3.4 A |
| INPUT CURRENT P | A |
| OUTPUT VOLTAGE | 3PH 0~Vin V |
| OUTPUT CURRENT G | 2.5 A |
| OUTPUT CURRENT P | A |
| IP | 20 |
| EMC FILTER C3 | optional |
| EMC FILTER C2 | optional |
| BRAKING UNIT | built-in |



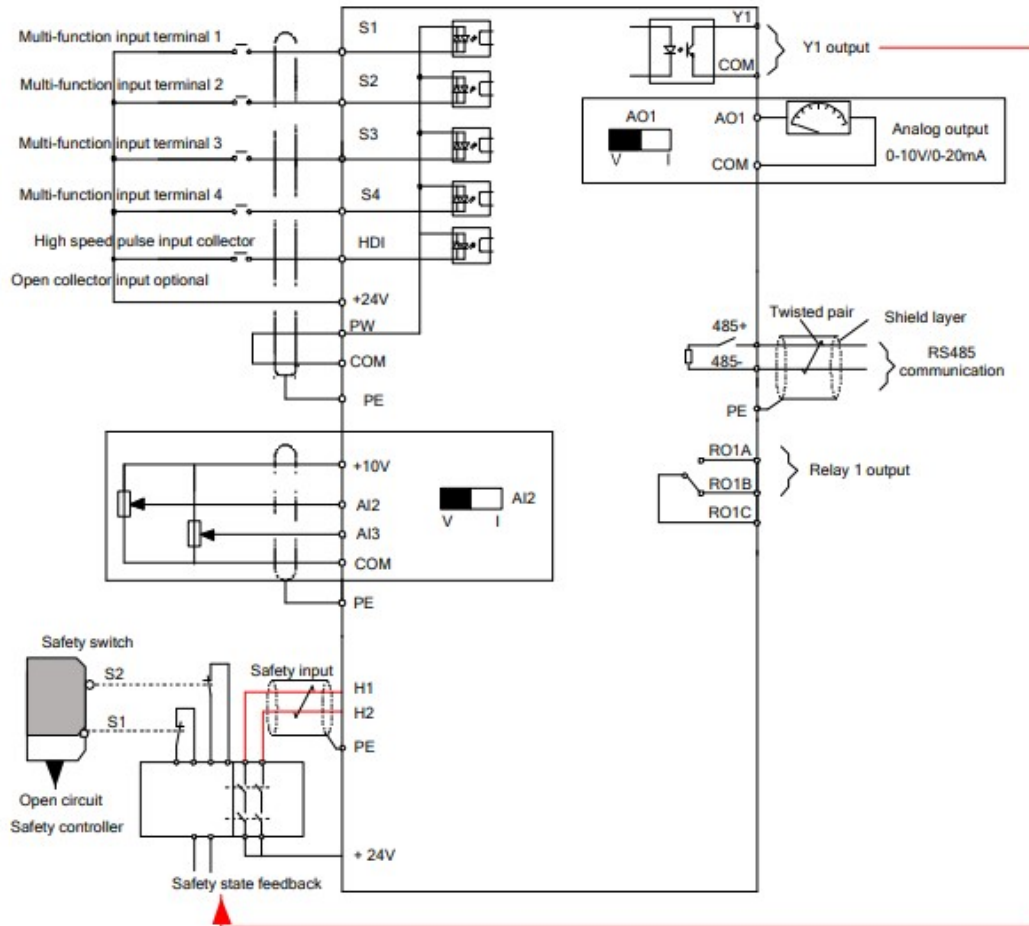
*G represents the constant torque and P represents the variable torque



Installation dimensions

| | |
|---------------|----------|
| H1 | 185 mm |
| H2 | 175 mm |
| H3 | - mm |
| W1 | 80 mm |
| W2 | 60 mm |
| W3 | - mm |
| W4 | - mm |
| D1 | 140.5 mm |
| D2 | 137.3 mm |
| Hole diameter | 5 mm |
| Screw | M4 |

Control Diagram



Packaging size

| | | |
|--------|-----|----|
| Height | 242 | mm |
| Width | 130 | mm |
| Depth | 200 | mm |
| Weight | 1.3 | Kg |

Universal Motors S.A.
 Rua Comendador Brandão, 484
 4495-375 Póvoa de Varzim
geral@universalmotors.pt
 TEL.: 252 299 080

Universal Motors UK, Ltd
 Unit E2, Meltham Mills Road
 West Yorkshire HD9 4AR
enquiries@universalmotors-group.co.uk
 TEL.: +44(0) 1484660222

Universal Motors SL
 C/La Habana n.6 nave 4 Pl Camporroso
 28806 Alcala de Henares
info@universalmotors-group.es
 TEL.: 918 864 213