

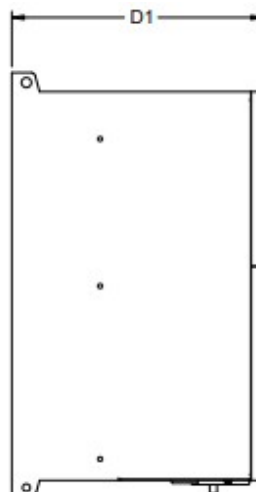
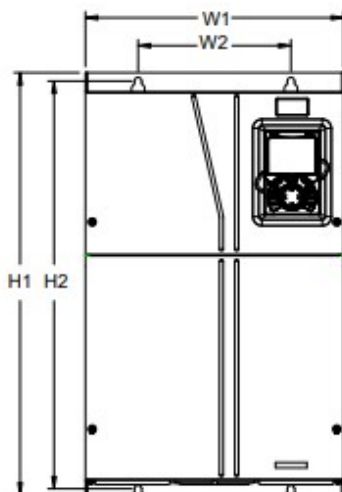
Technical Data

Power 90kW

SUPPLY	AC 3PH 380-440V
INPUT CURRENT G*	168 A
INPUT CURRENT P	201 A
OUTPUT VOLTAGE	3PH 0~Vin V
OUTPUT CURRENT G	180 A
OUTPUT CURRENT P	215 A
IP	20
EMC FILTER C3	built-in
EMC FILTER C2	optional
BRAKING UNIT	optional



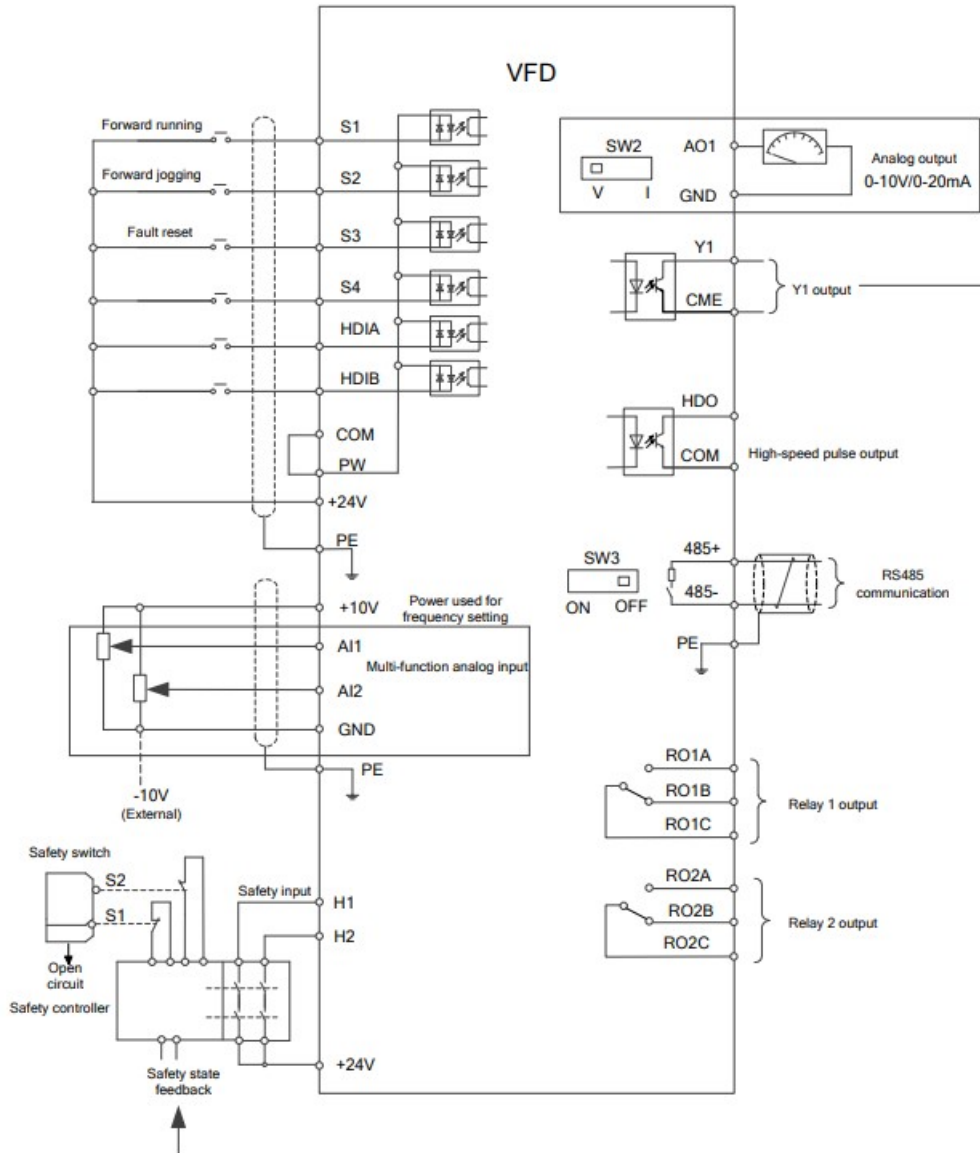
*G represents the constant torque and P represents the variable torque



Installation dimensions

H1	554 mm
H2	535 mm
H3	- mm
W1	338 mm
W2	200 mm
W3	- mm
W4	- mm
D1	330 mm
D2	- mm
Hole diameter	10 mm
Screw	M8

Control Diagram



Packaging size

Height	675	mm
Width	470	mm
Depth	575	mm
Weight	52	Kg