

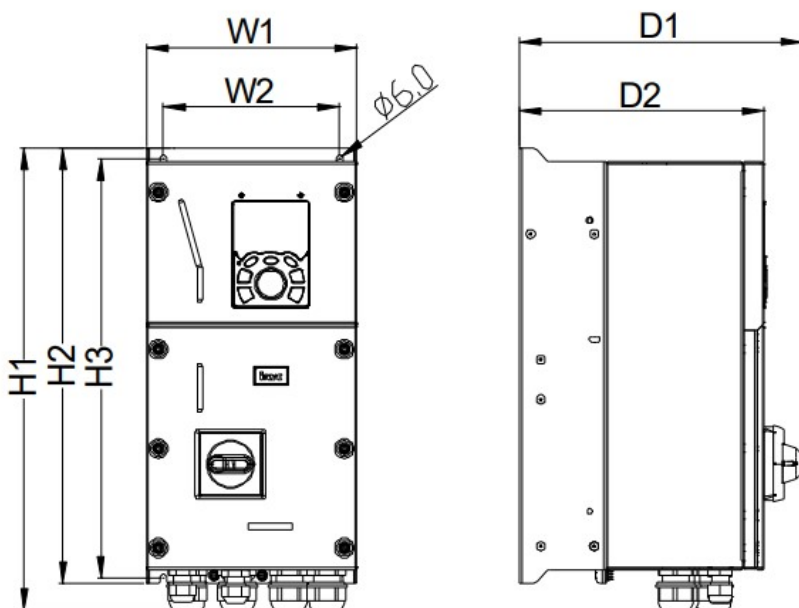
## Technical Data

### Power 5.5kW

SUPPLY	AC 3PH 380-440V
INPUT CURRENT G*	19.5 A
INPUT CURRENT P	23 A
OUTPUT VOLTAGE	3PH 0~Vin V
OUTPUT CURRENT G	14 A
OUTPUT CURRENT P	17 A
IP	55
EMC FILTER C3	built-in
EMC FILTER C2	optional
BRAKING UNIT	built-in



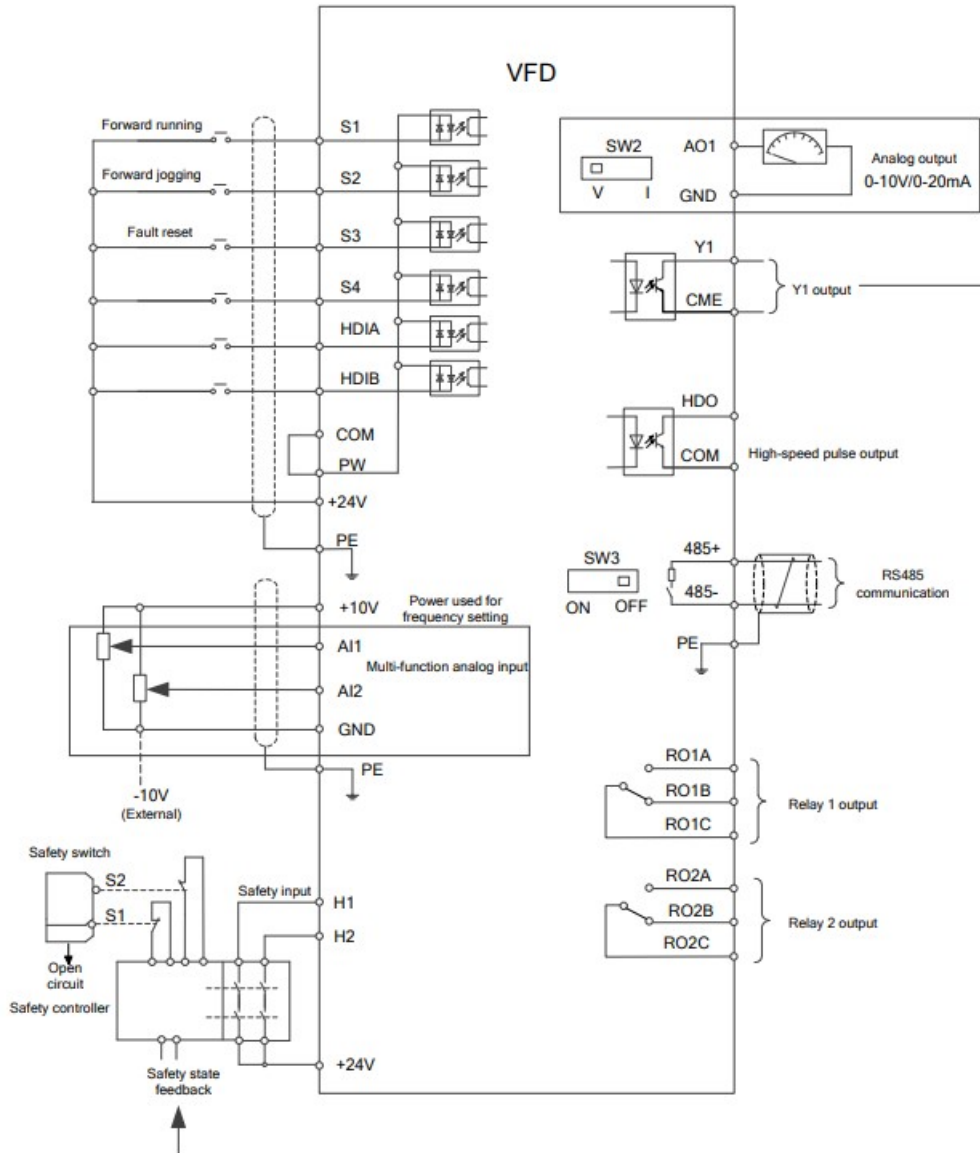
\*G represents the constant torque and P represents the variable torque



## Installation dimensions

H1	428.5 mm
H2	403 mm
H3	389 mm
W1	196 mm
W2	164 mm
W3	- mm
W4	- mm
D1	262.8 mm
D2	227 mm
Hole diameter	6 mm
Screw	M5

## Control Diagram



### Packaging size

Height	545	mm
Width	285	mm
Depth	370	mm
Weight	11	Kg