

Technical Data Sheet
Gearbox
WORM GEARBOX ROUND DESIGN



| | | |
|--------------------|--------|-----|
| MODEL | 085 | |
| Ø OUTPUT SHAFT | 35 | mm |
| APPROXIMATE RATIO | 100 | |
| EXACT RATIO | 96.00 | |
| OUTPUT SPEED | 15 | RPM |
| EXACT OUTPUT SPEED | 15 | RPM |
| INPUT POWER | 0.55 | KW |
| INPUT ROTATION | 1400 | RPM |
| INPUT PAM | 80B5 | |
| OUTPUT TORQUE | 190.88 | N.m |
| NOMINAL TORQUE | 242.00 | N.m |
| NOMINAL POWER | 0.7 | KW |
| SERVICE FACTOR | 1.27 | |
| DYNAMIC EFFICIENCY | 0.53 | |



Oil Quantity (L)

| B3/H1 | B6/H4 | B7/H3 | B8/H2 | V5/H5 | V6/H6 |
|-------|-------|-------|-------|-------|-------|
| 1.2 | 1.2 | 1.2 | 1.2 | 1.2 | 1.2 |

Radial and Axial Loads



| n_2 [min-1] | FA [N] | FR [N] |
|---------------|--------|--------|
| 200 | 500 | 2500 |
| 100 | 600 | 3000 |
| 50 | 800 | 4000 |
| 15 | 1160 | 5800 |

Universal Motors S.A.
Rua Comendador Brandão, 484
4495-375 Póvoa de Varzim
geral@universalmotors.pt
TEL.: 252 299 080

Universal Motors UK, Ltd
Unit E2, Meltham Mills Road
West Yorkshire HD9 4AR
enquiries@universalmotors-group.co.uk
TEL.: +44(0) 1484660222

Universal Motors SL
C/La Habana n.6 nave 4 PI Camporosso
28806 Alcala de Henares
info@universalmotors-group.es
TEL.: 918 864 213

P085FB... Basic wormbox
Riduttore base

Gearbox weight
peso riduttore **11.00 kg**

| M. flanges | Kit code | øF | A |
|-------------------|------------|-----|-------|
| 71B5 | K023.4.041 | 160 | 116.5 |
| 80/90B5 | K023.4.042 | 200 | 118.5 |
| 100/112B5 | K023.4.043 | 250 | 127.5 |
| 80B14 | K085.4.046 | 120 | 118.5 |
| 90B14 | K085.4.045 | 140 | 118.5 |
| 100/112B14 | K085.4.047 | 160 | 127.5 |



P085PA... Feet
Piedini

P085PB... Feet
Piedini

P085PV... Feet
Piedini



| | H | R | S | T | U | V | Y | W | øZ | kit code |
|--------|-----|-----|---|-----|-----|-----|-------|-----|-------|------------|
| type B | 142 | 145 | 5 | 182 | 140 | 180 | 236.5 | 280 | ø10.5 | K085.9.022 |
| type S | - | - | - | - | - | - | - | - | - | - |

P085FC... Output flange
Flangia uscita

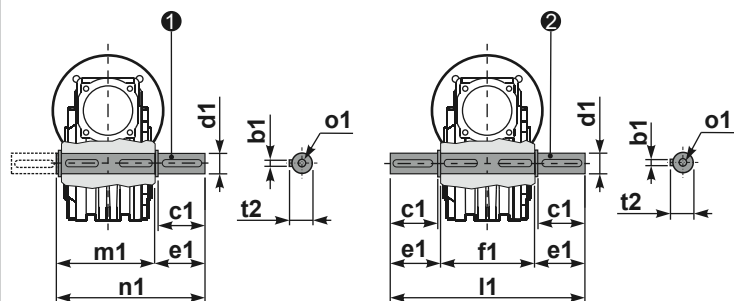
P085BR... Reaction arm
Braccio di reazione



| type B | øD | E | G | L | N | O | P | Q | kit code |
|-----------|---|---|----|-------|------|-----|-----|------|------------------------------|
| FC | 152 ^{+0.06} / _{+0.00} | 5 | 16 | 108 | 40.5 | 176 | 205 | 13 | ① K085.9.010 ② - |
| FL | 152 ^{+0.06} / _{+0.00} | 5 | 16 | 148.5 | 81 | 176 | 205 | 13 | ① K085.9.010 ② K085.0.201 |
| type S | øD | E | G | L | N | O | P | Q | kit code |
| F1 | 130 H7 | 5 | 13 | 117.5 | 50 | 165 | 200 | 11.5 | ① KS085.9.012 ② - |
| F2 | 152 ^{+0.06} / _{+0.00} | 5 | 15 | 147.5 | 80 | 180 | 205 | 12.5 | ① KS085.9.013 ② - |
| F4 | 130 H7 | 5 | 13 | 106.5 | 39 | 165 | 200 | 13 | ① KS085.9.015 ② - |

P085.....S... Single Shaft
Albero lento semplice

P085.....D... Double Shaft
Albero lento bisp.



① kit cod. K085.5.028 type B

② kit cod. K085.5.029 type B

R085FB... Input shaft
Albero in entrata



| | ød | e | g | l | m | x | kit code |
|--------|-------|----|---|----|-----|-------|---|
| type B | 25 h6 | 28 | 8 | 50 | 112 | M8x20 | ① K085.5.007 PAM90 ② K085.5.008 PAM100 |
| type S | 24 h6 | 27 | 8 | 50 | 112 | M8x20 | ① KS085.5.009 PAM90 ② KS085.5.011 PAM100 |

| | b1 | c1 | d1 | e1 | f1 | l1 | m1 | n1 | t2 | o1 |
|--------|----|----|--|------|-----|-----|-----|-------|----|--------|
| type B | 10 | 60 | 35 ^{-0.005} / _{-0.020} | 73.5 | 135 | 282 | 141 | 214.5 | 38 | M10x23 |
| type S | - | - | - | - | - | - | - | - | - | - |