

MODEL	411A	
Ø OUTPUT SHAFT	19	mm
APPROXIMATE RATIO	1.5	
EXACT RATIO	1.57	
OUTPUT SPEED	973	RPM
EXACT OUTPUT SPEED	930	RPM
INPUT POWER	1.50	KW
INPUT ROTATION	1400	RPM
INPUT PAM	90B5	
OUTPUT TORQUE	14.78	N.m
NOMINAL TORQUE	20.00	N.m
NOMINAL POWER	1.9	KW
SERVICE FACTOR	1.27	
DYNAMIC EFFICIENCY	0.92	

#### Oil Quantity (L)

B3/H1	B6/H4	B7/H3	B8/H2	V5/H5	V6/H6
0.1	0.1	0.1	0.1	0.1	0.1

#### Radial and Axial Loads



$n_2$ [min-1]	$F_A$ [N]	$F_R$ [N]
700	182	910
400	230	1150
200	290	1450
140	320	1600

Universal Motors S.A.  
Rua Comendador Brandão, 484  
4495-375 Póvoa de Varzim  
[geral@universalmotors.pt](mailto:geral@universalmotors.pt)  
TEL.: 252 299 080

Universal Motors UK, Ltd  
Unit E2, Meltham Mills Road  
West Yorkshire HD9 4AR  
[enquiries@universalmotors-group.co.uk](mailto:enquiries@universalmotors-group.co.uk)  
TEL.: +44(0) 1484660222

Universal Motors SL  
C/La Habana n.6 nave 4 PI Camporoso  
28806 Alcala de Henares  
[info@universalmotors-group.es](mailto:info@universalmotors-group.es)  
TEL.: 918 864 213

**P411-F...** Output flange  
flange di uscita

Gearbox weight  
peso riduttore **3.20 kg**



**\*Available output shaft / Albero di uscita**

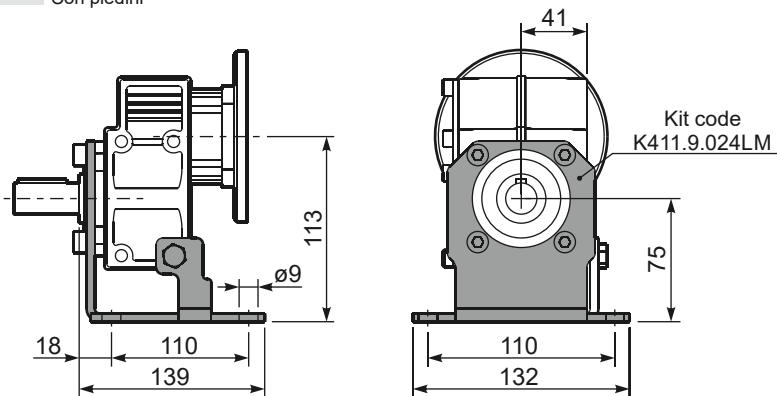
	Shaft - d1	p1	h1	x
Standard	∅ 19x40	6	21.5	M6x16
On request A richiesta	∅ 14x30 ∅ 24x40	5 8	16 27	M5x13 M6x16

**Available output flanges / flange di uscita**

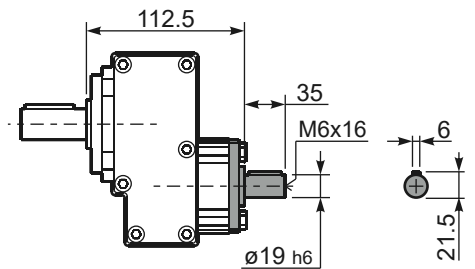
a1 ∅	b1	c1	e1	f1	s1	kit code
120	80	11.5	100	3	9*	KC30.9.010
140	95	11.5	115	3	9	KC30.9.011
160	110	11.5	130	3.5	9	KC30.9.012
200	130	11.5	165	3.5	11	KC30.9.013

\*Holes position  
posizione fori

**P411-H1...** With feet  
Con piedini



**R411-N...** Input Shaft  
Albero in entrata



**P411-N...** Basic gearbox  
Riduttore base



\*See the table of output shaft for the complete list of diameters

B5 Motor Flanges	A	g6	k1	kit code
63 B5	121.5	140	125	K063.4.041
71 B5	119.5	160	123	K063.4.042
80/90 B5	121.5	200	125	K063.4.043

B14 Motor Flanges	A	g6	k1	kit code
71 B14	119.5	105	123	K063.4.047
80 B14	121.5	120	125	K063.4.046
90 B14	121.5	140	125	K063.4.041