

|                    |        |     |
|--------------------|--------|-----|
| MODEL              | 613A   |     |
| Ø OUTPUT SHAFT     | 35     | mm  |
| APPROXIMATE RATIO  | 66     |     |
| EXACT RATIO        | 66.22  |     |
| OUTPUT SPEED       | 22     | RPM |
| EXACT OUTPUT SPEED | 22     | RPM |
| INPUT POWER        | 0.75   | KW  |
| INPUT ROTATION     | 1400   | RPM |
| INPUT PAM          | 80B14  |     |
| OUTPUT TORQUE      | 318.44 | N.m |
| NOMINAL TORQUE     | 520.00 | N.m |
| NOMINAL POWER      | 1.2    | KW  |
| SERVICE FACTOR     | 1.60   |     |
| DYNAMIC EFFICIENCY | 0.94   |     |

#### Oil Quantity (L)

| B3/H1 | B6/H4 | B7/H3 | B8/H2 | V5/H5 | V6/H6 |
|-------|-------|-------|-------|-------|-------|
| 1.05  | 1.1   | 1.25  | 1.25  | 1.35  | 1.5   |

#### Radial and Axial Loads



| $n_2$ [min-1] | $F_A$ [N] | $F_R$ [N] |
|---------------|-----------|-----------|
| 300           | 560       | 2800      |
| 200           | 640       | 3200      |
| 120           | 760       | 3800      |
| 15            | 1300      | 6500      |

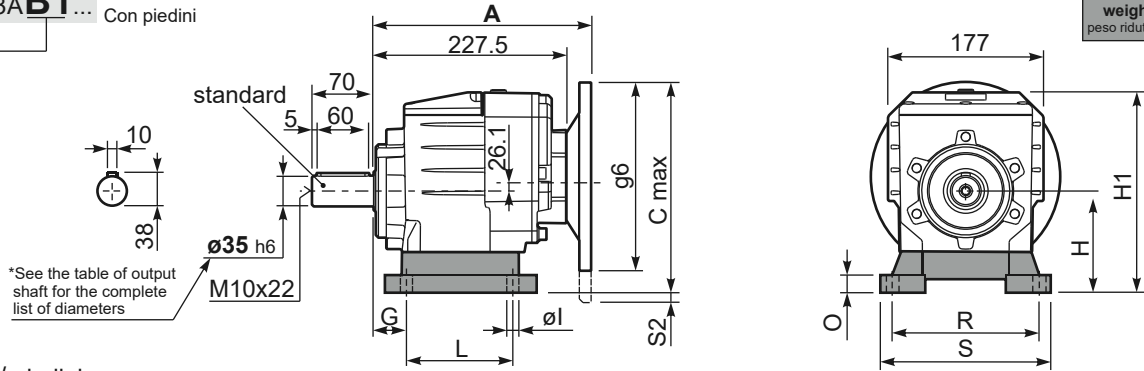
Universal Motors S.A.  
Rua Comendador Brandão, 484  
4495-375 Póvoa de Varzim  
[geral@universalmotors.pt](mailto:geral@universalmotors.pt)  
TEL.: 252 299 080

Universal Motors UK, Ltd  
Unit E2, Meltham Mills Road  
West Yorkshire HD9 4AR  
[enquiries@universalmotors-group.co.uk](mailto:enquiries@universalmotors-group.co.uk)  
TEL.: +44(0) 1484660222

Universal Motors SL  
C/La Habana n.6 nave 4 PI Camporroso  
28806 Alcala de Henares  
[info@universalmotors-group.es](mailto:info@universalmotors-group.es)  
TEL.: 918 864 213

P613A **B1** ... With feet  
Con piedini

Gearbox weight **14.3 kg**  
peso riduttore With flange  
With feet **14.7 Kg**



**Feet / piedini**

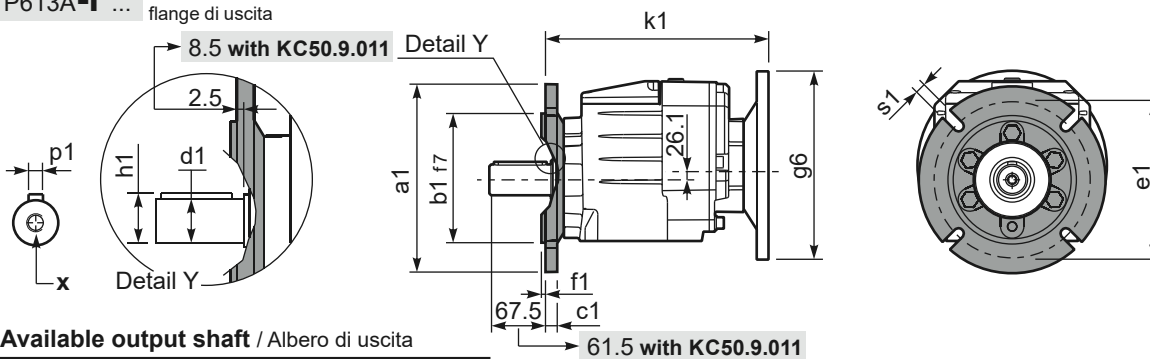
| Feet Code | Market reference | G  | H   | R       | L     | S   | H1  | O  | øl | S2 only with motor flange | B5 max. Flange | kit code     |
|-----------|------------------|----|-----|---------|-------|-----|-----|----|----|---------------------------|----------------|--------------|
| <b>B4</b> | 412/3            | 20 | 130 | 180     | 149.5 | 216 | 242 | 18 | 14 | -                         | -              | KC60.9.024   |
| <b>S4</b> | 47-57            | 30 | 115 | 135     | 165   | 170 | 227 | 25 | 14 | 13 132B5                  | -              | KC50.9.022   |
| <b>M3</b> | 62/3             | 35 | 120 | 170-185 | 110   | 230 | 232 | 20 | 14 | 8 132B5                   | -              | KC60.9.023   |
| <b>S7</b> | 77               | 35 | 140 | 170     | 205   | 204 | 252 | 8  | 14 | -                         | -              | KC60.9.029LM |
| <b>H4</b> | 024-243          | 35 | 155 | 170     | 150   | 225 | 267 | 30 | 14 | -                         | -              | KC60.9.025   |

Other feet are available, see our web site  
Sono disponibili altri piedini, consulta il nostro sito web

**A see on page bottom**

Most popular types  
Tipi più diffusi

P613A-**F** ... Output flanges  
flange di uscita



\*Available output shaft / Alberi di uscita

|                           | Shaft - d1 | p1 | h1 | x      |
|---------------------------|------------|----|----|--------|
| Standard                  | ø 35x70    | 10 | 38 | M10x22 |
| On request<br>A richiesta | ø 28x60    | 8  | 31 | M8x20  |
|                           | ø 30x60    | 8  | 33 | M10x22 |
|                           | ø 38x70    | 10 | 41 | M10x25 |
|                           | ø 40x80    | 12 | 43 | M12x28 |

Available output flanges / flange di uscita

| a1 ø | b1  | c1   | e1  | f1  | s1 | kit code   |
|------|-----|------|-----|-----|----|------------|
| 160  | 110 | 14   | 130 | 3.5 | 11 | KC50.9.011 |
| 200  | 130 | 13   | 164 | 3.5 | 11 | KC50.9.012 |
| 250  | 180 | 15.5 | 215 | 4   | 14 | KC50.9.013 |

With flange and feet only on request.  
Ask for compatibility

P613A-**N** ... Basic gearbox  
Riduttore base

**R613A-N** ... Input Shaft  
Albero in entrata



| B5 Motor Flanges | A   | C <sub>max</sub> | g6  | k1    | kit code   | k1 with KC50.9.011 |
|------------------|-----|------------------|-----|-------|------------|--------------------|
| 63 B5            | 248 | 251.1            | 140 | 250.5 | K063.4.041 | 256.5              |
| 71 B5            | 246 | 261.1            | 160 | 248.5 | K063.4.042 | 254.5              |
| 80/90 B5         | 248 | 281.1            | 200 | 250.5 | K063.4.043 | 256.5              |

| B14 Motor Flanges | A   | C <sub>max</sub> | g6  | k1    | kit code   | k1 with KC50.9.011 |
|-------------------|-----|------------------|-----|-------|------------|--------------------|
| 71 B14            | 246 | 233.6            | 105 | 248.5 | K063.4.047 | 254.5              |
| 80 B14            | 248 | 241.1            | 120 | 250.5 | K063.4.046 | 256.5              |
| 90 B14            | 248 | 251.1            | 140 | 250.5 | K063.4.041 | 256.5              |