

| | | |
|--------------------|---------|-----|
| MODEL | UMSG130 | |
| Ø OUTPUT SHAFT | 45 | mm |
| APPROXIMATE RATIO | 50 | |
| EXACT RATIO | 50.00 | |
| OUTPUT SPEED | 29 | RPM |
| EXACT OUTPUT SPEED | 29 | RPM |
| INPUT POWER | 1.50 | KW |
| INPUT ROTATION | 1400 | RPM |
| INPUT PAM | 90B5 | |
| OUTPUT TORQUE | 383.68 | N.m |
| NOMINAL TORQUE | 971.98 | N.m |
| NOMINAL POWER | 3.8 | KW |
| SERVICE FACTOR | 2.53 | |
| DYNAMIC EFFICIENCY | 0.75 | |



Oil Quantity (L)

| B3/H1 | B6/H4 | B7/H3 | B8/H2 | V5/H5 | V6/H6 |
|-------|-------|-------|-------|-------|-------|
| 4.5 | 3.5 | 3.5 | 3.3 | 4.5 | 3.3 |

Radial and Axial Loads



| n_2 [min ⁻¹] | FA [N] | FR [N] |
|----------------------------|--------|--------|
| 200 | 960 | 4800 |
| 100 | 1240 | 6200 |
| 50 | 1560 | 7800 |
| 15 | 2400 | 12000 |

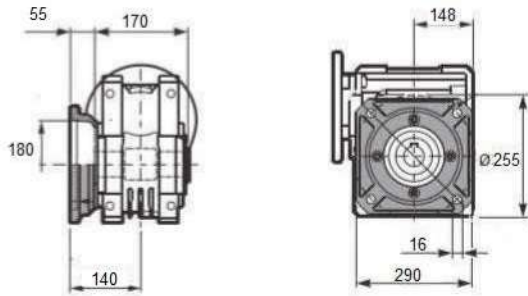
Basic wormbox



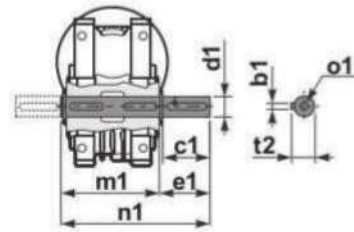
Mounting holes position

Hollow shaft

Square flange FA

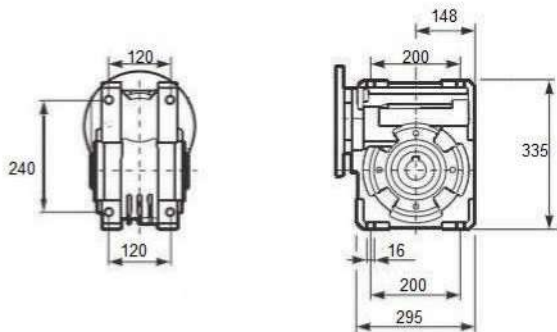


Single Shaft



| b1 | c1 | d1 | e1 | m1 | n1 | t2 | o1 |
|----|----|----|----|-----|-----|------|-----|
| 14 | 80 | 45 | 85 | 170 | 265 | 48.5 | M16 |

Feet



Reaction arm

