

MODEL	UMSG150	
Ø OUTPUT SHAFT	50	mm
APPROXIMATE RATIO	7.5	
EXACT RATIO	7.50	
OUTPUT SPEED	195	RPM
EXACT OUTPUT SPEED	195	RPM
INPUT POWER	15.00	KW
INPUT ROTATION	1400	RPM
INPUT PAM	160B5	
OUTPUT TORQUE	698.29	N.m
NOMINAL TORQUE	1187.10	N.m
NOMINAL POWER	25.5	KW
SERVICE FACTOR	1.70	
DYNAMIC EFFICIENCY	0.91	



Oil Quantity (L)

B3/H1	B6/H4	B7/H3	B8/H2	V5/H5	V6/H6
7	5.1	5.1	5.4	7	5.1

Radial and Axial Loads



n_2 [min ⁻¹]	FA [N]	FR [N]
200	1300	6500
100	1640	8200
50	2120	10600
15	3300	16500

Basic wormbox



Square flange FA

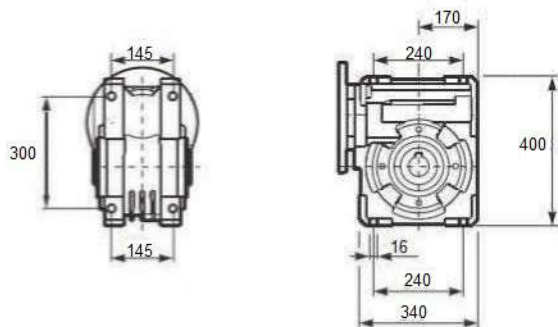


Single Shaft



b1	c1	d1	e1	m1	n1	t2	o1
14	82	50	87	200	297	53.5	M16

Feet



Reaction arm

