

MODEL	UMSG150	
Ø OUTPUT SHAFT	50	mm
APPROXIMATE RATIO	10	
EXACT RATIO	10.00	
OUTPUT SPEED	146	RPM
EXACT OUTPUT SPEED	146	RPM
INPUT POWER	15.00	KW
INPUT ROTATION	1400	RPM
INPUT PAM	160B5	
OUTPUT TORQUE	920.83	N.m
NOMINAL TORQUE	1166.38	N.m
NOMINAL POWER	19	KW
SERVICE FACTOR	1.27	
DYNAMIC EFFICIENCY	0.90	



Oil Quantity (L)

B3/H1	B6/H4	B7/H3	B8/H2	V5/H5	V6/H6
7	5.1	5.1	5.4	7	5.1

Radial and Axial Loads



n_2 [min-1]	FA [N]	FR [N]
200	1300	6500
100	1640	8200
50	2120	10600
15	3300	16500

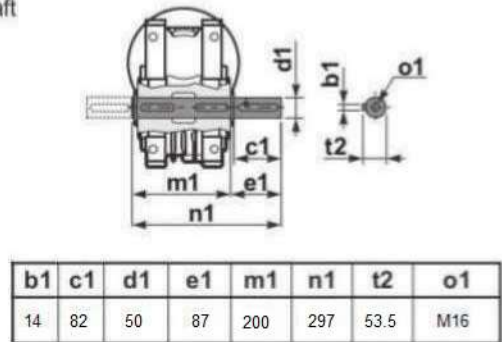
Basic wormbox



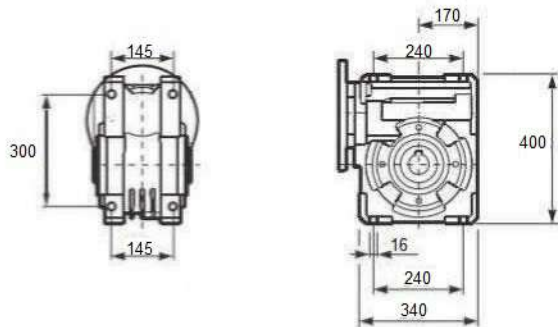
Square flange FA



Single Shaft



Feet



Reaction arm

