

|                    |         |     |
|--------------------|---------|-----|
| MODEL              | UMSG150 |     |
| Ø OUTPUT SHAFT     | 50      | mm  |
| APPROXIMATE RATIO  | 50      |     |
| EXACT RATIO        | 50.00   |     |
| OUTPUT SPEED       | 29      | RPM |
| EXACT OUTPUT SPEED | 29      | RPM |
| INPUT POWER        | 2.20    | KW  |
| INPUT ROTATION     | 1400    | RPM |
| INPUT PAM          | 100B5   |     |
| OUTPUT TORQUE      | 570.23  | N.m |
| NOMINAL TORQUE     | 1425.57 | N.m |
| NOMINAL POWER      | 5.5     | KW  |
| SERVICE FACTOR     | 2.50    |     |
| DYNAMIC EFFICIENCY | 0.76    |     |



#### Oil Quantity (L)

| B3/H1 | B6/H4 | B7/H3 | B8/H2 | V5/H5 | V6/H6 |
|-------|-------|-------|-------|-------|-------|
| 7     | 5.1   | 5.1   | 5.4   | 7     | 5.1   |

#### Radial and Axial Loads



| $n_2$ [min <sup>-1</sup> ] | FA [N] | FR [N] |
|----------------------------|--------|--------|
| 200                        | 1300   | 6500   |
| 100                        | 1640   | 8200   |
| 50                         | 2120   | 10600  |
| 15                         | 3300   | 16500  |

Basic wormbox



Square flange FA

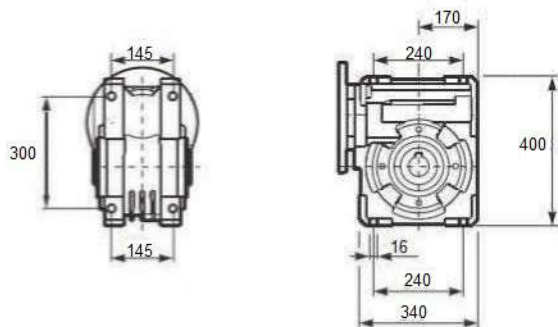


Single Shaft



| b1 | c1 | d1 | e1 | m1  | n1  | t2   | o1  |
|----|----|----|----|-----|-----|------|-----|
| 14 | 82 | 50 | 87 | 200 | 297 | 53.5 | M16 |

Feet



Reaction arm

