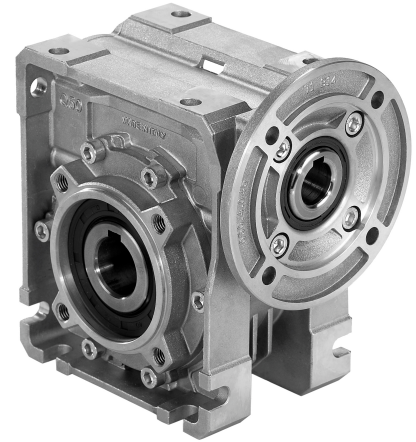


Technical Data Sheet  
Gearbox  
WORM GEARBOX SQUARE DESIGN



MODEL	M45	
Ø OUTPUT SHAFT	18	mm
APPROXIMATE RATIO	15	
EXACT RATIO	14.00	
OUTPUT SPEED	97	RPM
EXACT OUTPUT SPEED	104	RPM
INPUT POWER	0.18	KW
INPUT ROTATION	1400	RPM
INPUT PAM	63B5	
OUTPUT TORQUE	13.24	N.m
NOMINAL TORQUE	30.00	N.m
NOMINAL POWER	0.41	KW
SERVICE FACTOR	2.28	
DYNAMIC EFFICIENCY	0.77	



Oil Quantity (L)

B3/H1	B6/H4	B7/H3	B8/H2	V5/H5	V6/H6
0.09	0.09	0.09	0.09	0.09	0.09

Radial and Axial Loads



$n_2$ [min <sup>-1</sup> ]	FA [N]	FR [N]
200	180	900
100	220	1100
50	260	1400
15	400	2000

Universal Motors S.A.  
Rua Comendador Brandão, 484  
4495-375 Póvoa de Varzim  
[geral@universalmotors.pt](mailto:geral@universalmotors.pt)  
TEL.: 252 299 080

Universal Motors UK, Ltd  
Unit E2, Meltham Mills Road  
West Yorkshire HD9 4AR  
[enquiries@universalmotors-group.co.uk](mailto:enquiries@universalmotors-group.co.uk)  
TEL.: +44(0) 1484660222

Universal Motors SL  
C/La Habana n.6 nave 4 PI Camporoso  
28806 Alcalá de Henares  
[info@universalmotors-group.es](mailto:info@universalmotors-group.es)  
TEL.: 918 864 213

**PM45FB...** Basic wormbox  
Riduttore base

M. flanges	Kit code	øF	A
<b>63B5</b>	K050.4.041	138	80
<b>71B5</b>	K050.4.042	160	77.5
<b>56B14</b>	KC40.4.049	80	77.5
<b>63B14</b>	K050.4.047	90	80
<b>71B14</b>	K050.4.045	105	77.5



Gearbox weight  
peso riduttore **2.30 kg**

ø H8	B	C	*Spacer code
<b>18</b> Standard	20.8	6	KM45.3.018
<b>19</b> on request	21.8	6	KM45.3.019
<b>20</b> on request	22.8	6	KM45.3.020

\*On Request  
output shaft with spacers

**PM45FC...** Square flange  
Flangia quadrata



type B	øD	E	G	L	N	O	P	Q	kit code
<b>FC</b>	60 H8	4	7	67	34.5	75	110	9	KM45.9.010
<b>FL</b>	60 H8	4	7	97	64.5	75	110	9	KM45.9.011

**PM45F1...** Round flange  
Flangia rotonda



type S	øD	E	G	L	N	O	P	Q	kit code
<b>F1</b>	95H8	5	9	80	47.5	115	140	9.5	KM45.9.012
<b>F2</b>	-	-	-	-	-	-	-	-	-

**PM45FB...** Feet  
Piedini



**PM45BR...** Reaction arm  
Braccio di reazione



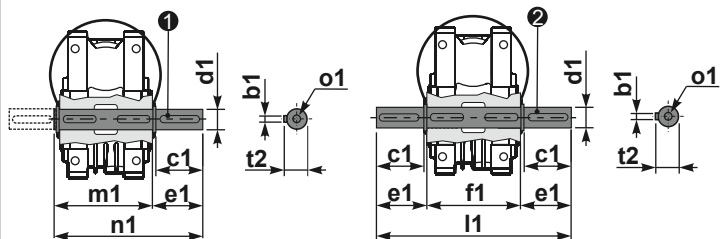
**RM45FB...** Input shaft  
Albero in entrata



	ød	e	g	l	m	x	kit code
type B	11 h6	12.5	4	30	74	-	① K045.5.006 PAM71 ② - ③ -
type S	-	-	-	-	-	-	① - ② - ③ -

**PM45.....S...** Single Shaft  
Albero lento semplice

**PM45.....D...** Double Shaft  
Albero lento bisp.



① kit cod. K045.5.028 type B  
kit cod. KS045.5.030 type S  
② kit cod. K045.5.029 type B

	b1	c1	d1	e1	f1	l1	m1	n1	t2	o1
type B	6	32	18 <sup>-0.005</sup> <sub>-0.020</sub>	43	65	151	70	113	20.5	M6x18
type S	6	40	19 <sup>-0.005</sup> <sub>-0.020</sub>	58.5	-	-	70	128.5	21.5	M8x20